

# SERVICE MANUAL



## Model SB25 Blended Ice Machine

**Original Service Instructions**

**081218-S**

8/12/14 (Original Publication)

(Updated 3/26/15)



# Table of Contents

---

<b>Section 1: Introduction</b> .....	<b>1</b>
Safety .....	2
SB25 Specifications .....	4
General Installation Instructions .....	6
Environmental Notices .....	8
<b>Section 2: Controls and Systems</b> .....	<b>9</b>
Control Overview .....	10
Keypad .....	11
PC Connection .....	12
General Repairs .....	17
Blender Drive Board .....	30
Blender Pitcher Rinse Station .....	31
Blender Pitcher Rinse Station Repairs .....	32
<b>Section 3: Troubleshooting</b> .....	<b>37</b>
General Troubleshooting .....	38
Rinse Station Troubleshooting .....	41
Blender Troubleshooting .....	42
<b>Section 4: Parts</b> .....	<b>45</b>
Warranty Explanation .....	46
Model SB25 Operator Parts .....	49
Model SB25 Internal Service Parts .....	51
Model SB25 Drain Assembly .....	53
Model SB25 Front Panel .....	55
Model SB25 Manifold 082222-12 .....	56
Model SB25 Pump-Cane A. - X82356 .....	57
Rinse Station .....	58

## Table of Contents - Page 2

---

Rinse Station Manifold 082222-05 .....	59
Parts List .....	60
Wiring Diagram .....	68

**CAUTION:** Information in this manual is intended to be used by Taylor Authorized Service Technicians only.

**Note:** Continuing research results in steady improvements; therefore, information in this manual is subject to change without notice.

**Note:** Only instructions originating from the factory or its authorized translation representative(s) are considered to be the original set of instructions.

© 2014 Carrier Commercial Refrigeration, Inc. (Original Publication)  
(Updated March, 2015)  
081218-S

Any unauthorized reproduction, disclosure, or distribution of copies by any person of any portion of this work may be a violation of Copyright Law of the United States of America and other countries, could result in the awarding of Statutory Damages of up to \$250,000 (17 USC 504) for infringement, and may result in further civil and criminal penalties. All rights reserved.



Taylor Company  
a division of Carrier Commercial Refrigeration, Inc.  
750 N. Blackhawk Blvd.  
Rockton, IL 61072

# Section 1: Introduction

- **Safety**
- **Specifications**
- **General Installation Instructions**
- **Environmental Notices**

# Safety

---

We at Taylor are committed to manufacturing safe operating and serviceable equipment. The many built-in safety features that are part of all Taylor® equipment are aimed at protecting operators and trained service technicians alike.



This manual is intended exclusively for Taylor authorized service personnel.



**DO NOT** attempt to run the equipment unless you have been properly trained to do so.



**CAUTION: THIS EQUIPMENT MUST BE PROPERLY GROUNDED!** Do not operate this unit unless it is properly grounded and all service panels and access doors are restrained with screws. Failure to do so can result in severe personal injury from electrical shock!



- **DO NOT** attempt any repairs unless the main power supply to the unit has been disconnected.
- **DO NOT** operate the unit with larger fuses than specified on the data label.
- Stationary appliances which are not equipped with a power cord and a plug or other device to disconnect the appliance from the power source must have an all-pole disconnecting device with a contact gap of at least 3 mm installed in the external installation.

- Appliances that are permanently connected to fixed wiring and for which leakage currents may exceed 10 mA, particularly when disconnected, not used for long periods, or during initial installation, shall have protective devices such as a GFI to protect against the leakage of current, installed by authorized personnel to the local codes.
- Supply cords used with this unit shall be oil-resistant, sheathed flexible cable, not lighter than ordinary polychloroprene or other equivalent synthetic elastomer-sheathed cord (Code designation 60245 IEC 57) installed with the proper cord anchorage to relieve conductors from strain, including twisting, at the terminals and protect the insulation of the conductors from abrasion.

If the supply cord is damaged, it must be replaced by an authorized Taylor service technician in order to avoid a hazard.

Failure to follow these instructions may result in electrocution or damage to the unit.



**DO NOT** partially remove the ice hopper cover. Complete removal of the hopper cover is required when accessing the ice bin. Failure to follow this instruction may result in personal injury.



**DO NOT** remove any internal operating parts unless all control switches are in the OFF position. Failure to follow these instructions may result in severe personal injury from hazardous moving parts.



**THIS UNIT HAS MANY SHARP EDGES THAT CAN CAUSE SEVERE INJURIES.**



This unit must be installed on a level surface to avoid the hazard of tipping. Extreme care should be taken in moving this equipment for any reason.

Two or more people are required to safely move this unit. Failure to comply may result in personal injury or equipment damage.



This appliance is only intended to be installed in a location where its use and maintenance is restricted to trained personnel.



This unit must NOT be installed in an area where a water jet or hose can be used. NEVER use a water jet or hose to rinse or clean this unit. Using a water jet or hose on or around this equipment may result in the electrocution of the user or damage to the equipment.



Cleaning and sanitizing schedules are governed by your state or local regulatory agencies and must be followed accordingly. Please refer to the cleaning section of the Operator Manual for the proper procedure to clean this unit.



### **WARNING!**

**Some consumers are highly allergic to strawberries. In some severe cases, allergic reactions to strawberries can cause death. When blending natural strawberry products, make sure excess product is removed from the pitcher to eliminate product carryover.**

# SB25 Specifications

The Model SB25 is a combination unit consisting of the Model SB24 commercial ice shaver/blender unit and a rinse station.

The Model SB24 shaver/blender unit has the option of metered water and liquid sugar cane dispensing. The rinse station is a timer controlled, automatic system that rinses the interior of the blender pitchers.

## Ice Hopper

The standard frosted ice hopper holds approximately 28 lbs (13 kg) of ice. An optional clear ice hopper is available which holds approximately 15 lbs (7 kg) of ice.

## Blender Pitcher

The maximum fill capacity of the blender pitcher is 48 fl oz (1.4 liters).

## Electrical

Two dedicated electrical connection are required for the SB24 and X81173-12. See the electrical chart for proper electrical requirements. Manufactured to be cord connected. Cord length is 9 ft. (274 mm) external to unit.

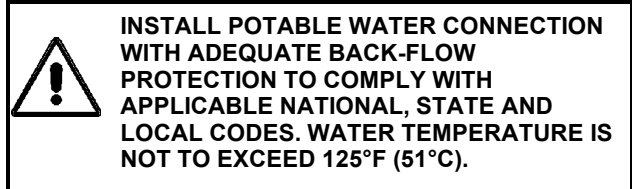
Blender Station		
Electrical	Total Amps	Supplied with NEMA Cord
115/60/1	10.0A	5-15P

Rinse Station		
Electrical	Total Amps	Power Supply
24 VAC	0.63A	115V

This unit may be manufactured with other electrical characteristics. Refer to the local Taylor Distributor for availability. (For exact electrical information, always refer to the data label of the unit.)

## Water

A 3/8" (9.5 mm) water line with minimum 55 PSI (380 kPa) is required.



## Drain

A drain is required. The drain must be able to accommodate a 1-1/8" (29 mm) diameter drain tube. A minimum of 1" (25 mm) air gap is required between the end of the drain tube and the drain to ensure proper flow.

**IMPORTANT:** The unit must be installed on a level surface for proper drainage.

Accessories include 10 ft. (3050 mm) of 7/8" (222 mm) ID drain hose.

## Air Cooled

No additional clearance is required on either side of the unit for air inlet or discharge.

2" (50 mm) of clearance is required behind the unit to allow for proper routing of the drainage hardware.

12" (304 mm) of air clearance is required above the unit to allow for proper loading of ice into the ice hopper.

## Dimensions

**Width:** 12-1/4" (311 mm)

**Depth:** 18" (457 mm)

**Height:** 23-1/2" (597 mm)

## Approximate Weights

**Net:** 35 lb (15.9 kgs)

**Crated:** Carton #1 35 lbs. (15.9 kgs)  
Carton #2 11 lbs. (5 kgs)

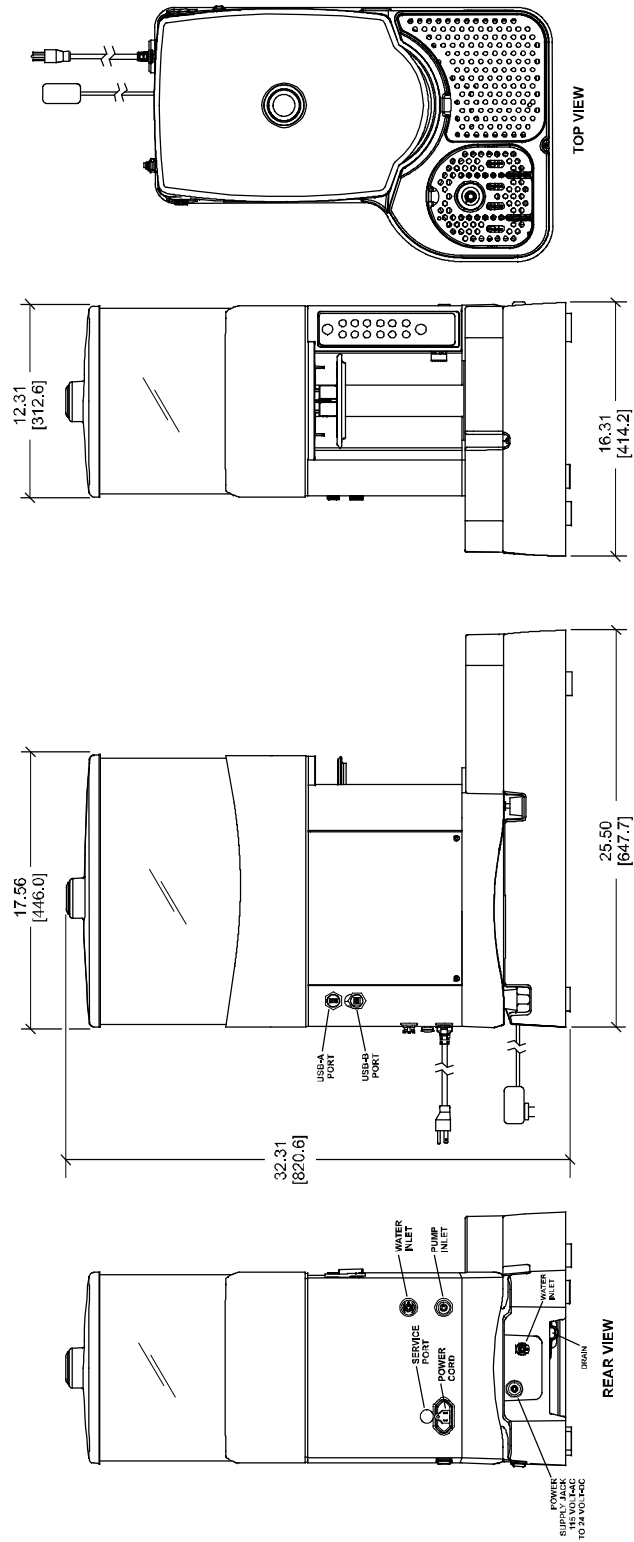
## Water Pressure

55 PSI (380 kPa) minimum incoming

100 PSI (690 kPa) maximum incoming



# SB25 Specifications (Continued)



FIGURES IN BRACKETS INDICATE MILLIMETERS / DECIMAL AND FRACTIONAL DIMENSIONS EQUAL TO ( PLUS OR MINUS 1/16 INCH [1.5mm] ).

# General Installation Instructions

---

**CAUTION:** Only trained, authorized service technicians should install the Blended Ice Machine. Failure to comply will void the factory warranty.

The following are general installation instructions. For complete installation instructions, please see the Installation Checklist.



**ALL WIRING AND PLUMBING MUST CONFORM TO NATIONAL AND LOCAL CODES.**



**INSTALL POTABLE WATER CONNECTION WITH ADEQUATE BACK-FLOW PROTECTION TO COMPLY WITH APPLICABLE NATIONAL, STATE AND LOCAL CODES.**

## Site Preparation

Review the area where the unit will be installed before uncrating the unit. Make sure that all possible hazards to the installer, user, and the unit have been addressed.

**For Indoor Use Only:** This unit is designed to operate indoors, under normal ambient temperatures of 70° - 75°F (21° - 24°C). The unit has successfully performed in high ambient temperatures of 104°(40°C) at reduced capacities.



This unit must **NOT** be installed in an area where a water jet or hose can be used. **NEVER** use a water jet or hose to rinse or clean this unit. Using a water jet or hose on or around this equipment may result in the electrocution of the user or damage to the equipment.



This unit must be installed on a level surface to avoid the hazard of tipping. Extreme care should be taken in moving this equipment for any reason.

Two or more people are required to safely move this unit. Failure to comply may result in personal injury or equipment damage.

Uncrate the unit. Inspect the unit for damage. Report any damage to the Taylor Factory immediately.

This unit is made using USA sizes of hardware. All metric conversions are approximate.

## Air Clearance:

No additional clearance is required on either side of the unit for air inlet or discharge.

2" (50 mm) of clearance is required behind the unit to allow for proper routing of the drainage hardware.

12" (304 mm) of air clearance is required above the unit to allow for proper loading of ice into the ice hopper.

## Unit Preparation: Freezing Conditions Storage

In order to prevent the freezing of water lines in the unit, the drinking and rinse water lines shall be drained prior to storage of the unit in a location below freezing. If freezing of water in these lines does occur, thaw the lines in normal ambient conditions and check the water lines for signs of damage before and after supplying water to the unit.

## Installer Safety



In all areas of the world, equipment should be installed in accordance with existing local codes. Please contact your local authorities if you have any questions.

Care should be taken to ensure that all basic safety practices are followed during the installation and servicing activities related to the installation and service of Taylor® equipment.

- Only authorized Taylor service personnel should perform installation, maintenance, and repairs on Taylor equipment.
- Authorized service personnel should consult OSHA Standard 29CFR1910.147 or the applicable code of the local area for the industry standards on lockout/tagout procedures before beginning any installation or repairs.
- Authorized service personnel must ensure that the proper personal protective equipment (PPE) is available and worn when required during installation and service.
- Authorized service personnel must remove all metal jewelry, rings, and watches before working on electrical equipment.



The main power supply(s) to the units must be disconnected prior to performing any installation, maintenance, or repairs. Failure to follow this instruction may result in personal injury or death from electrical shock or hazardous moving parts as well as poor performance or damage to the unit.



This unit has many sharp edges that can cause severe injuries.

## Water Connection

New hose sets supplied with the appliance are to be used and old hose sets should not be re-used.

## Electrical Connections



In the United States, this equipment is intended to be installed in accordance with the National Electrical Code (NEC), ANSI/NFPA 70-1987. The purpose of the NEC code is the practical safeguarding of persons and property from hazards arising from the use of electricity. This code contains provisions considered necessary for safety.

In all other areas of the world, equipment should be installed in accordance with the existing local codes. Please contact your local authorities.

Each unit requires one power supply. Check the data label on the unit for fuse, circuit ampacity and other electrical specifications. Refer to the wiring diagram provided inside the control box for proper power connections.

Refer to the Electrical Specifications on page 4 for proper field wire connection.

It is recommended that the unit be plugged into an electrical surge protector for added protection against power surges, which could damage an electrical/electronics component. An electrical surge event may cause the unit to shut down. Such an event would require service by a qualified service technician if the unit was not adequately protected. A good surge protector, as would normally be used on a home computer, should be adequate and is available at most computer retail outlets or electrical supply stores.



**FOLLOW YOUR LOCAL ELECTRICAL CODES!**



**CAUTION: THIS EQUIPMENT MUST BE PROPERLY GROUNDED! FAILURE TO DO SO CAN RESULT IN SEVERE PERSONAL INJURY FROM ELECTRICAL SHOCK!**



- **DO NOT** operate the unit with larger fuses than specified on the data label.
- Stationary appliances which are not equipped with a power cord and a plug or another device to disconnect the appliance from the power source must have an all-pole disconnecting device with a contact gap of at least 3 mm installed in the external installation.
- Appliances that are permanently connected to fixed wiring and for which leakage currents may exceed 10 mA, particularly when disconnected, not used for long periods, or during initial installation, shall have protective devices such as a GFI to protect against the leakage of current, installed by authorized personnel to the local codes.
- Supply cords used with this unit shall be oil-resistant, sheathed flexible cable, not lighter than ordinary polychloroprene or other equivalent synthetic elastomer-sheathed cord (Code designation 60245 IEC 57) installed with the proper cord anchorage to relieve conductors from strain, including twisting, at the terminals and protect the insulation of the conductors from abrasion.

If the supply cord is damaged, it must be replaced by an authorized Taylor service technician in order to avoid a hazard.

Failure to follow these instructions may result in electrocution or damage to the unit.

## Environmental Notices

---



■ If the crossed out wheeled bin symbol is affixed to this product, it signifies that this product is compliant with the EU Directive as well as other similar legislation in effect after August 13, 2005. Therefore, it must be collected separately after its use is completed, and cannot be disposed as unsorted municipal waste.

The user is responsible for returning the product to the appropriate collection facility, as specified by your local code.

For additional information regarding applicable local laws, please contact the municipal facility and/or local distributor.

**NOISE LEVEL:** Airborne noise emission does not exceed 89 dB(A) when measured at a distance of 1.0 meter from the surface of the unit and at a height of 1.6 meters from the floor.

## **Section 2: Controls and Systems**

- **Control Overview**
- **Keypad**
- **PC Connection**
- **General Repairs**
- **Blender Drive Board**
- **Blender Pitcher Rinse Station**

# Control Overview

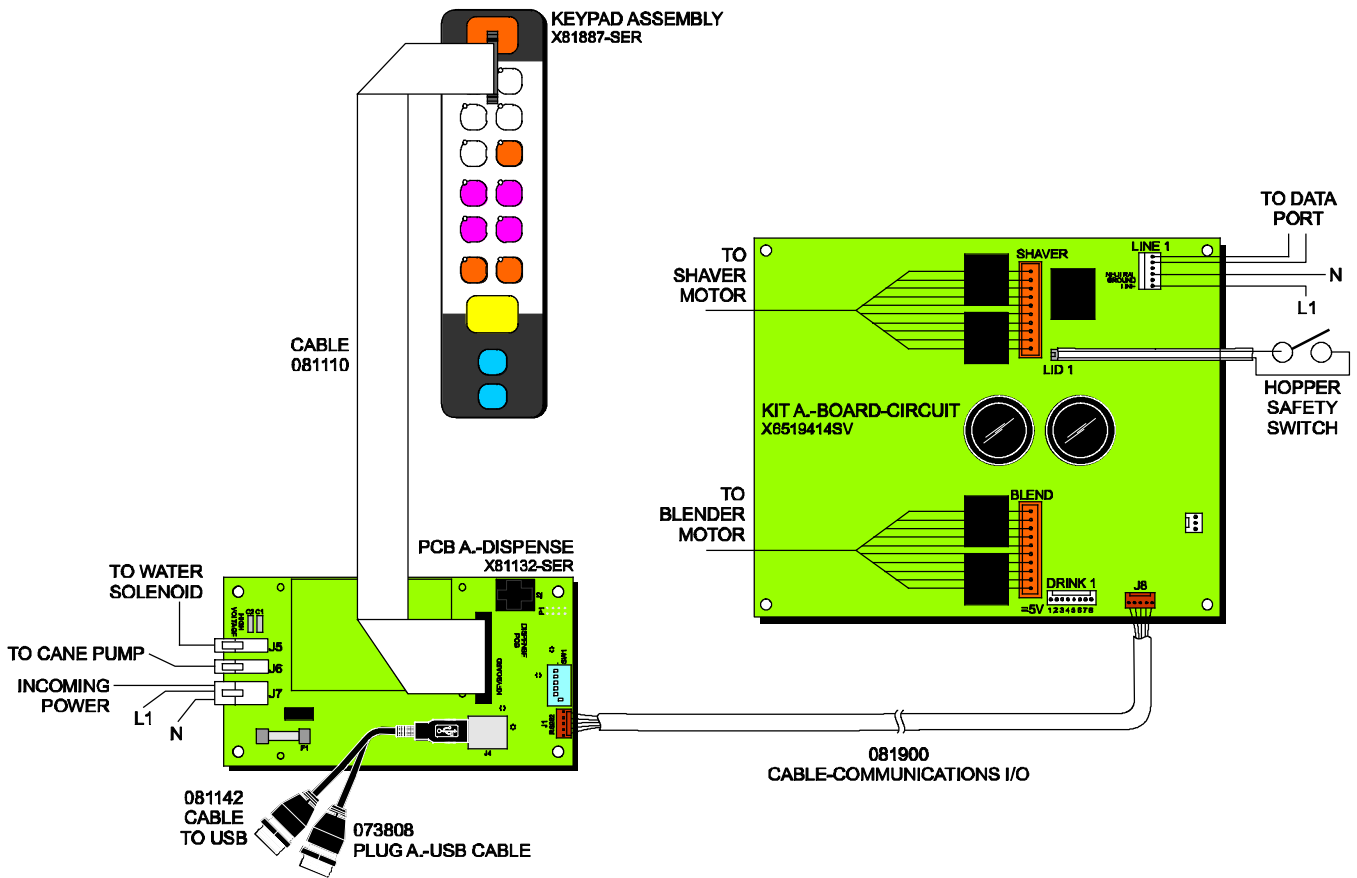


Figure 1

# Keypad

The keypad allows the operator to control the functions of the unit. It is located in the front face of the blender. (See Figure 2.)

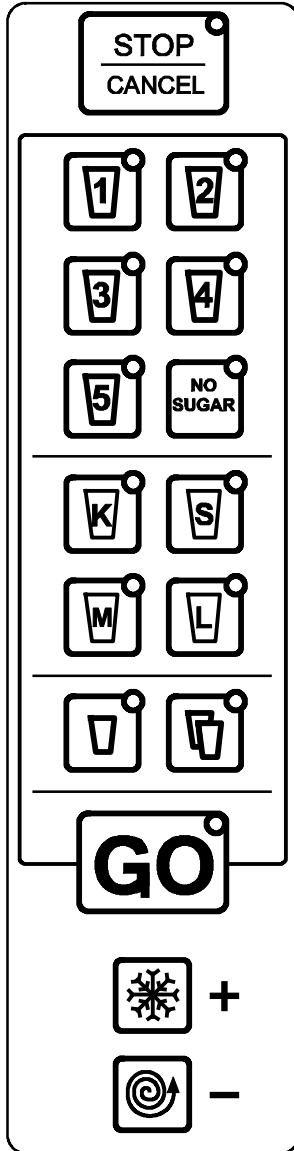


Figure 2



### Stop/Cancel Key

Pressing this key will shut down the unit and cancel the drink cycle.



### Recipe Keys

Selects pre-programmed flavor/recipes.



### NO SUGAR Key

Removes cane sugar from the drink recipe currently being dispensed.



### Drink Size Keys

Selects the drink size.



### Single/Double Quantity Keys

Allows the operator to make a single or double serving of K, S, and M drink sizes. It will not make a double L drink.



### GO Key

The GO key starts the selected drink cycle.



### Shaver Key



### and Blender Key

These keys are used to manually shave ice and blend product.

# PC Connection

The SB25 can be connected to a PC in order to manage recipes and system calibration, using the supplied software. A PC running Windows XP or greater with a USB port is required.

1. Remove the cover from the upper USB port on the left side of the system by unscrewing the cap counter-clockwise.
2. Connect the USB cable from the PC to the USB-B connector on the unit.
3. Switch the main power ON.
4. The first time you connect to the unit and start the PC software, you may be prompted to install the proper drivers on your PC. Follow the on screen instructions to install the proper drivers. **Note: This requires an Internet connection.**
5. Open the programming software: "OTGConfig Rels Rev A.exe"
6. Refresh the Port List and select the proper COM Port from the list of Available Ports. This is usually the highest numbered port in the list. (See Figure 3.)

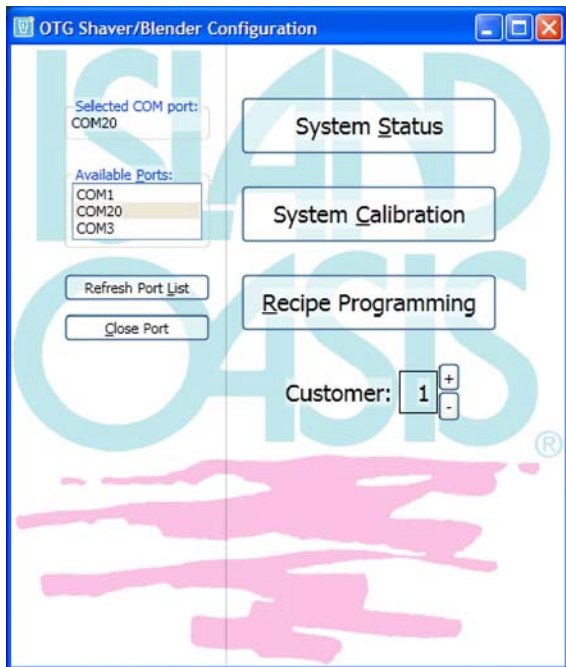


Figure 3

7. To reset the connection select "Close Port" and reselect.

## Customer Numbers

Two customer numbers can be stored in the shaver/blender controller PCA memory, containing separate recipe and calibration settings. These are selected by a DIP switch setting inside the system, located on the top edge of the dispense PCA assembly. Position 5 is used to select the customer number. (Position 6 is used to enable or disable the cane pump option on the SB25, if it is functioning.)

- Customer 1 - Switch Position 5 OFF
- Customer 2 - Switch Position 5 ON

When you power up the system, the customer selected number is displayed briefly (one second) before showing the default menu settings.

- If recipe key 1 is on briefly at power up, the DIP switch is set to customer 1.
- If recipe key 2 is on briefly at power up, the DIP switch is set to customer 2.

Customer configurations are generated in the supplied PC software. The main page of the supplied software will indicate the current DIP switch setting. Any combination of customer configurations can be loaded into the system. If you select a configuration that hasn't been downloaded, the default values in the software will be used.



## Calibration

---

The SB25 unit can be calibrated using the supplied PC software or by using the manual calibration method through the main keypad.

### Target Calibration Settings

- Shaved Ice: 10 oz. (by weight)
- Water Dispense: 4 oz (by volume)
- Cane Dispense: 4 oz (by volume)

### PC Calibration

#### Step 1

Refer to PC Connection on page 12.

#### Step 2

Select “System Calibration” from the supplied software. (See Figure 4.)

#### Step 3

The current system Calibration Factor values for Shave, Blend, Water and Cane dispense times are displayed.

#### Step 4

Use the +/- buttons next to each Calibration Factor to increase or decrease calibration settings to achieve desired results. Note that this changes the Calibration Factor on the shaver/blender system immediately.

#### Step 5

Select the Run Cycle button next to each Calibration Factor to run that particular function with the Calibration Factor applied.

#### Step 6

Select “Reset Calibration Factors” to return all values to 1.0.

#### Step 7

Select “Main Menu”, select recipe settings, and select save to unit.

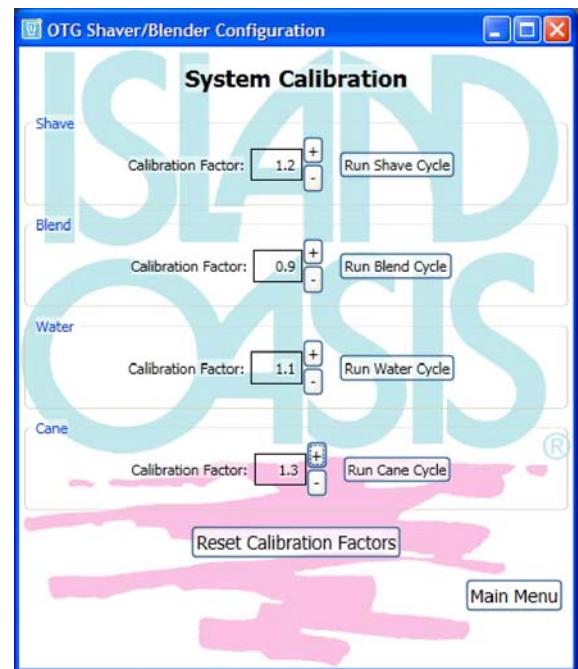


Figure 4

## Keypad Calibration

### Step 1

Enter the keypad calibration mode by holding the Stop button until all recipe key LED's blink.

- Press recipe 1 key to change the Shave calibration value.
- Press recipe 3 key to change the Water calibration value.
- Press recipe 4 key to change the Cane calibration value (Model SB25, only).

When the value to be changed has been selected, it will blink at a slow rate, along with the recipe1 & 2 serving size LED's.

**Note:** The serving size LED's blink to indicate that the calibration value can now be changed.

### Step 2

Use the +/- buttons to increase or decrease the calibration settings to achieve the desired results.

### Step 3

Press the STOP/CANCEL button to cancel any unsaved changes and exit the calibration mode.

### Step 4

Press the NO SUGAR button to save the current calibration value and run a test cycle of the item being calibrated:

- Shave – dispense 10 oz of ice with the current calibration value applied.
- Blend – run blender for “2 seconds” with the current calibration value applied.
- Water - dispense 4 oz of water with the current calibration value applied.
- Cane - dispense 4 oz of cane with the current calibration value applied.
- Press “GO” to save the changes.

## Test Mode

The Test Mode within the Calibration Mode allows all motors, valves, and pumps to be run manually. This can be useful in diagnosing motor or dispensing issues.


### Step 1

Enter the calibration mode by holding the




button for 3 seconds.

### Step 2

Press and hold the manual blend button  for 3 seconds.

### Step 3

Press the single serving button  for shaver or blender motor testing:

- Press and hold the manual shave button




to run the shaver motor.

- Press and hold the manual blend button



to run the blender motor.

### Step 4

Press the double serving button  for water dispense testing:

- Press and hold the manual shave button



to run the cane pump.

- Press and hold the manual blend button



to activate the water valve.

### Step 5

Press the STOP/CANCEL button to exit the Test Mode.

## Programming & Recipe Storage

The customer recipe information is held in the microprocessor memory. Recipes distributed on USB memory sticks can be uploaded to the system automatically. **Note: When new recipes are uploaded, any recipes currently on the system will be overwritten.**

### Programming Using USB Stick

**Note: Do not plug in a thumb drive and the PC USB cable at the same time.**

#### Step 1

Switch the main power OFF.

#### Step 2

Remove the cover from the lower USB port on the left side of the system by unscrewing the cap counter-clockwise. (See Figure 5.)

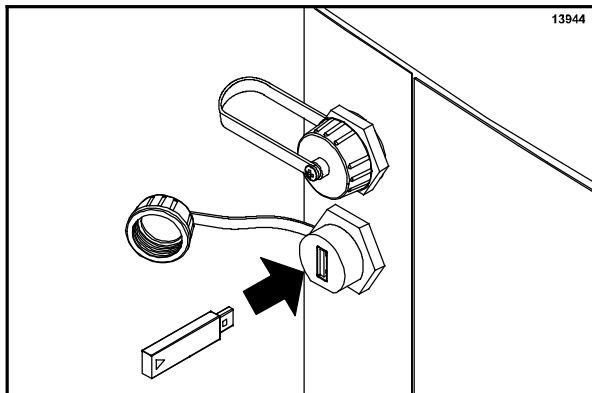


Figure 5

#### Step 3

Insert the USB stick.

#### Step 4

Switch the main power ON.

#### Step 5

The SB25 will automatically download and save the recipe information to the unit.

#### Step 6

Place the main power switch in the OFF position.

#### Step 7

Remove the USB stick and reinstall the USB port cover.

#### Step 8

Place the main power switch in the ON position.

## PC Recipe Management

The supplied software can be used to transfer drink recipe information back and forth from a PC to the shaver/blender. It can also be used to create USB flash drives in order to distribute recipes to customer sites.

### Recipe Programming

#### Step 1

Refer to PC Connection on page 12.

#### Step 2

Select "Recipe Programming" from the supplied software. (See Figure 6.)

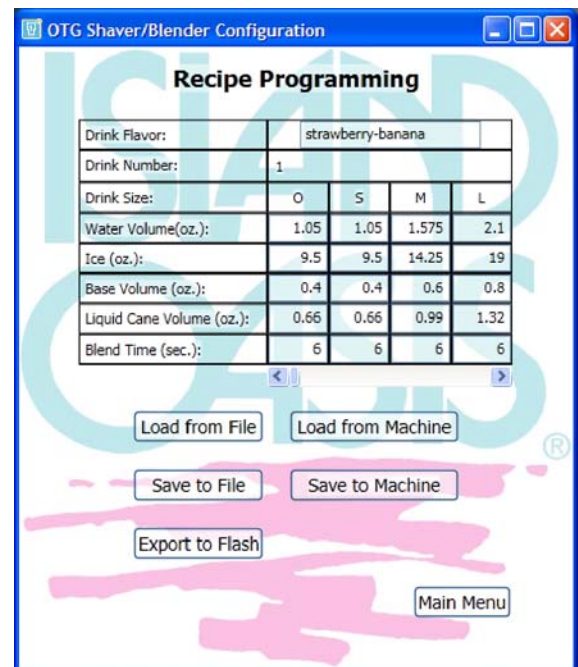


Figure 6

**Step 3**

To load an existing recipe file, select “Load from File” and browse to the folder. Select the file name and select “Open.” This will overwrite the recipe set shown in the table.

**Step 4**

To load recipes from the shaver/blender, select “Load from Machine.” This will overwrite the recipe set shown in the table.

**Step 5**

The recipe table is used to display and edit a set of drink recipes.

- a. Use the left/right arrow keys to select drink numbers.
- b. Enter the Drink Flavor - This is descriptive text to identify the drink, e.g. “Strawberry Banana.”
- c. Drink size – Corresponds to the drink sizes on the system (Note that “O” on the PC stands for “K” on the keypad).
- d. Water Volume (oz.) – Amount of water dispensed for each drink size.
- e. Ice (oz.) – Amount of ice dispensed for each drink size.

- f. Base Volume (oz.) – Amount of flavor base that needs to be manually added before shaving/blending. This parameter is for reference and is not used by the unit.
- g. Liquid Cane Volume (oz.) – Amount of liquid cane dispensed for each drink size.
- h. Blend Time (sec.) – Duration of blend cycle for each drink size.

**Step 6**

To store the recipe set to the PC, select “Save to File,” browse to a folder, enter the file name, and select “Save.”

Select “Save to Machine” to store the recipes on the unit. This will overwrite the recipe set stored on the system.

**Step 7**

To store a recipe set to a USB flash drive, plug the drive into the PC’s USB port and select “Export to Flash.” Select the USB device from the browser and select “Save” (file will be named CUST1.txt, CUST2.txt depending on the DIP switch customer number system setting).

**Step 8**

Select “Main Menu” when done.

# General Repairs

---

## IMPORTANT!



**DO NOT attempt any interior repairs until the following steps are completed.** Failure to follow these instructions may result in personal injury or death from electrical shock or from hazardous moving parts, as well as poor performance or damage to the unit.

1. Disconnect the main power supply to the unit.
2. Disconnect the power cord at the plug.
3. Remove the ice hopper.  
(**Note:** Remove the ice before removing the ice hopper.)
4. Remove the side panels.
5. Remove the drive board cover.
6. Remove the water and cane lines.

**Wait 30 seconds after disconnecting power before removing the drive board cover.**

## Electrostatic Discharge Protection

Electrostatic Discharge (ESD) is the rapid discharge of static electricity from one conductor to another of a different potential.

An electrostatic discharge can damage integrated circuits found in computer and communications equipment. Follow instructions where noted.

## Ice Hopper

---

The ice hopper is the container for the ice cubes that are consumed in the shaving process. The hopper and lid have an integral magnetic mechanism that triggers a safety switch which allows system operation only when the hopper and lid are installed correctly.

### Disassembly

#### Step 1

Remove the hopper cover.

#### Step 2

Using a scoop, carefully remove the ice from the hopper.



**WARNING: The shaver blade is very sharp.** Caution must be used when working in or near the shaver assembly. Failure to follow this instruction may result in personal injury from blade contact.

#### Step 3

Install the hopper cover and run the manual blend cycle until all remaining ice is dispensed.

#### Step 4



Turn off the power switch and unplug the power cord.

#### Step 5

Remove the hopper and hopper cover.

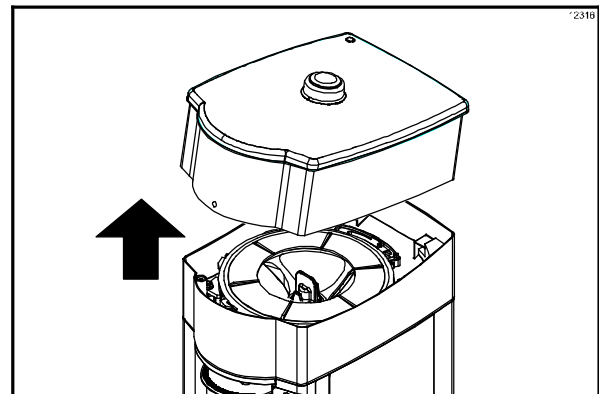


Figure 7

## Drive Board

---

The Drive Board functions as the control center of the Shaver/Blender. The removal of the Drive Board is sometimes necessary to access other areas of the system.

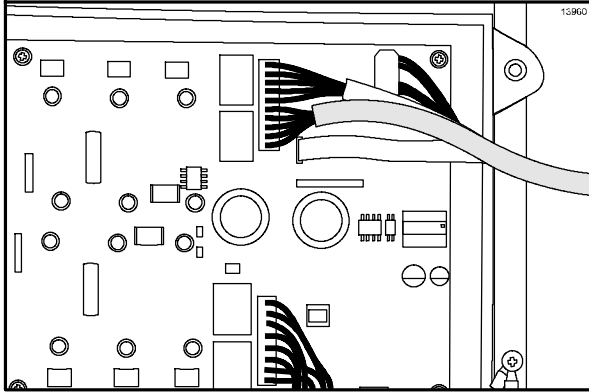


Figure 8

**Note:** See page 43 for the Drive Board Troubleshooting Guide.

## Disassembly

### Step 1



Turn off the power switch and unplug the power cord.

### Step 2

Remove the right side panel screws.

### Step 3

Remove the right side panel.

### Step 4

Insert a flat screwdriver in the screw hole and bow the cover slightly.

### Step 5

Insert your fingers under the bottom edge of panel and pull downward.

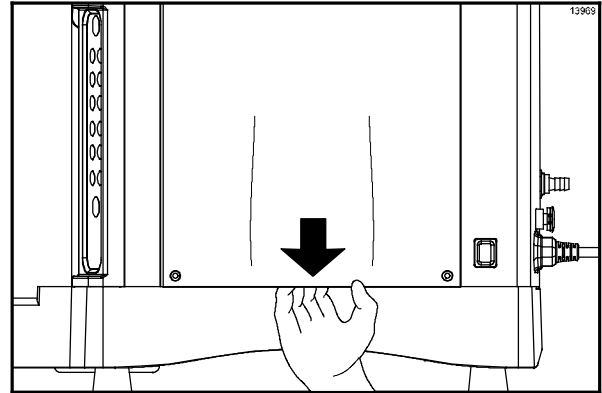


Figure 9

### Step 6

Remove the screw (black box to post).

### Step 7

Remove the black box cover.

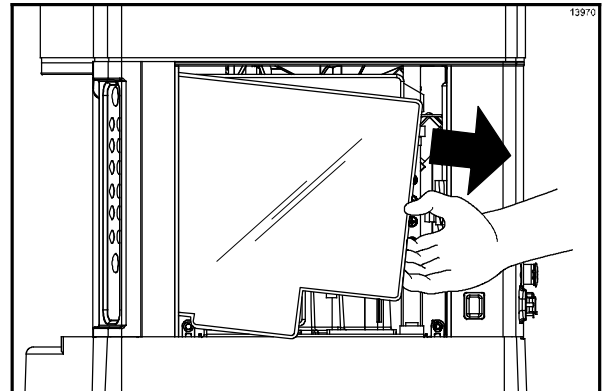


Figure 10

### Step 8

Place an anti-static wrist strap around your wrist. Attach the clip on the other end of the strap to the ground post.

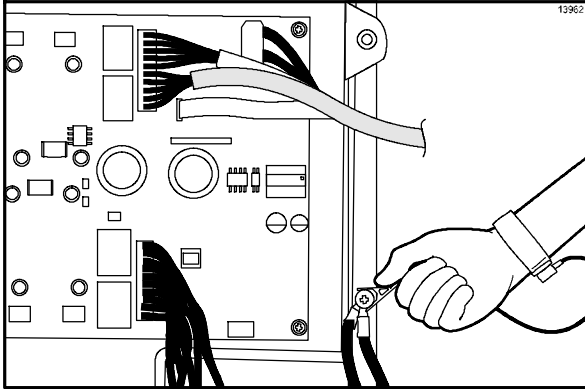


Figure 11

### Step 9

Remove the connectors.

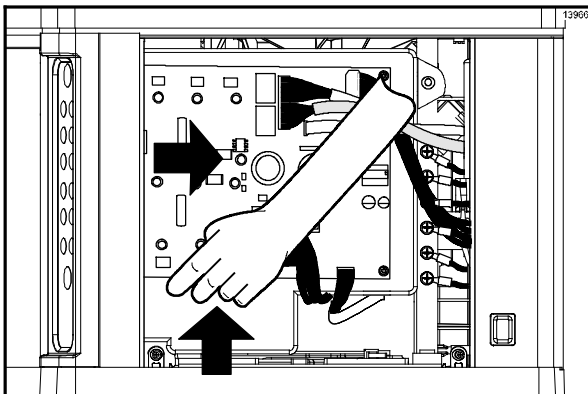


Figure 12

### Step 10

Lift the black box and pivot it around the left front post.

### Step 11

Remove the black box.

## Main Drain Assembly

The Main Drain Assembly consists of the main drain housing, shaver assembly, shaver motor, and lid sensor. Removal of the Main Drain Assembly is sometimes necessary to access other areas of the system.

### Disassembly

#### Step 1



Turn off the power switch and unplug the power cord.

#### Step 2

Remove ice hopper and lid. (See page 17.)

#### Step 3

Remove the Drive Board. (See page 18.)

#### Step 4

Remove the four nuts securing the top frame.

**Note:** Per torque specifications, nuts are tightened to 75 inch/pounds.

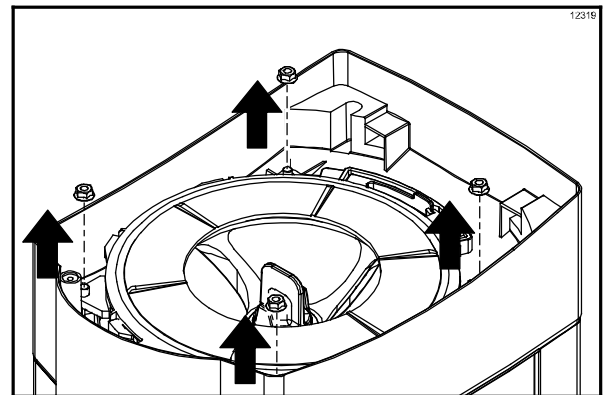


Figure 13

### Step 5

Loosen the main drain assembly. Remove the fluid fittings from the water valve and cane pump by pushing the gray collar toward the fitting and pulling on the tube. Remove the main drain assembly.

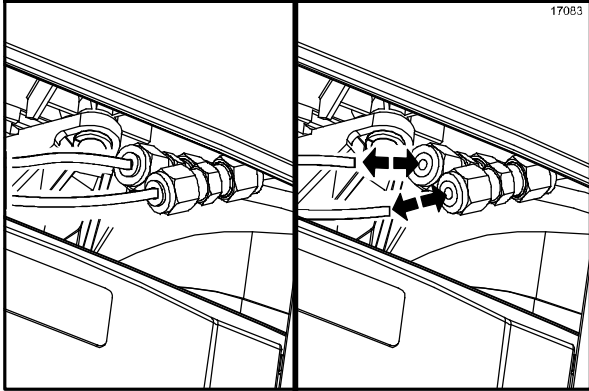


Figure 14

## Dispense PCB

The Dispense PCB is the main communications link between the Keypad, Water Dispense Unit, Cane Dispense Unit and the Drive Board. It stores all recipes and enables USB communications through a PC or USB stick.

Check the fuse. Visually, the fuse filament should be continuous and not burnt. Check the continuity with the multimeter. The fuse should not read “OL” when measuring ohms.

**Note:** Dip switch #6 must be in the ON position for units equipped with a cane pump.

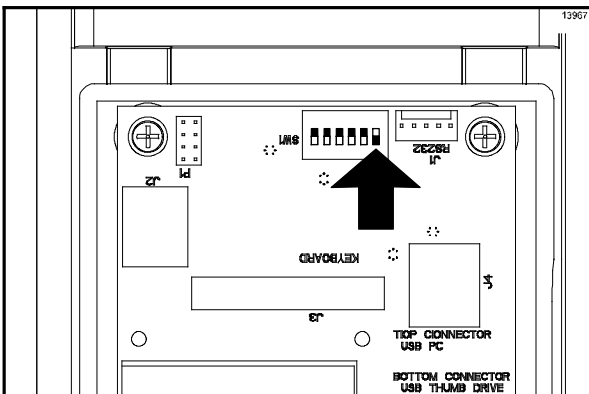


Figure 15

## Disassembly

### Step 1



Turn off the power switch and unplug the power cord.

### Step 2

Remove the left side panel.

### Step 3

Remove the box cover.

### Step 4

Place an anti-static wrist strap around your wrist. Attach the clip on the other end of the strap to the ground post.

### Step 5

Remove the connectors.

### Step 6

Remove the PCB mounting screws and remove the board.

## Keypad

The keypad serves as the main control center for all functions of the unit.

## Troubleshooting

If keypad functions do not work properly, check the connections to the keypad and the Dispense PCB and for any condensation build-up on wire connections. Before replacing the keypad, plug in a new keypad and test the functions.

## Replacement

### Step 1



Turn off the power switch and unplug the power cord.

### Step 2

Remove the ice hopper and lid. (See page 17.)

### Step 3

Remove the Drive Board. (See page 18.)

### Step 4

Remove the main drain assembly. (See page 19.)



### Step 5

Remove the four screws securing the keypad to the front panel.

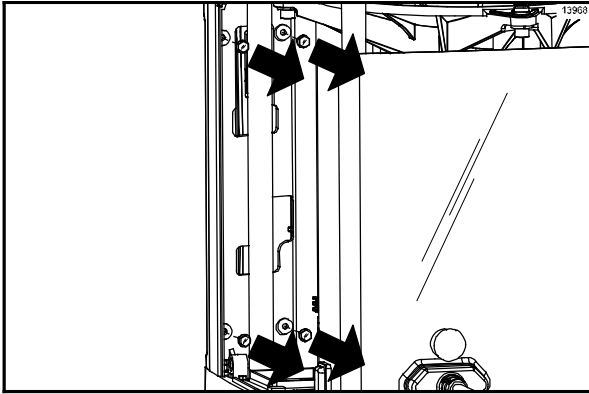


Figure 16

### Step 6

Disconnect the ribbon cable from the keypad. The ribbon cable header is equipped with a locking mechanism. To disconnect the ribbon cable, move the two locking tabs away from the header, toward the outside of the board.

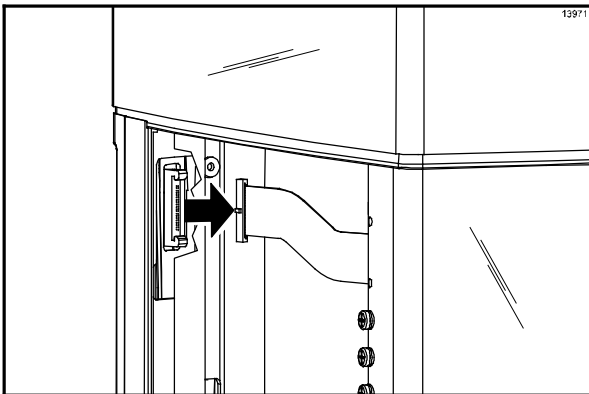


Figure 17

## Rotary Wing

The rotary wing agitates the ice and forces it against the shaver blade.

### Troubleshooting

If the unit does not shave ice, but the motor is running check for the following:

- Blade damage
- Possible broken or cored-out rotary wing

### Disassembly

#### Step 1

Remove the ice hopper and lid. (See page 17.)

#### Step 2



Turn off the power switch and unplug the power cord.



**WARNING: The shaver blade is very sharp.** Caution must be used when working in or near the shaver assembly. Failure to follow this instruction may result in personal injury from blade contact.

#### Step 3

Remove the ice shaver cone cover by pressing the rear tab inward and rotating the cover clockwise.

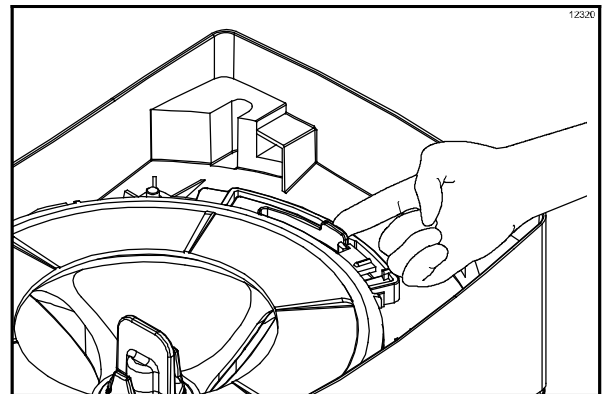


Figure 18

#### Step 4

Remove the ice scrambler by squeezing the tabs inward and rotating clockwise while holding the wing securely. (**Note:** Secure the o-ring for re-assembly.)

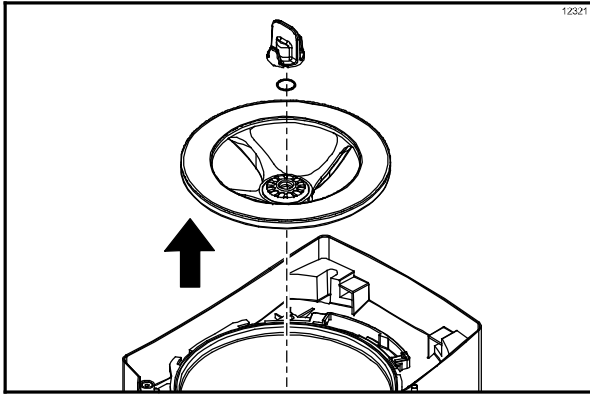


Figure 19

#### Step 5

Remove the rotary wing by lifting it straight up off the motor shaft.

## Shaver Motor

---

### Description

The shaver motor is the power supply for the ice shaving function.

### Troubleshooting

If the shaver motor is not running, check the following:

1. Power supply
2. Cycle unit OFF, then ON
3. Safety switch (hopper/cover)
4. Ice jam in hopper
5. Possible broken/cored out wing
6. Shaver motor for damage
7. Keypad error
8. Main power board

**Note:** See page 42 for Shaver Motor Troubleshooting Guide.

## Disassembly

#### Step 1

Remove the ice hopper and lid. (See page 17.)

#### Step 2



Turn off the power switch and unplug the power cord.

#### Step 3

Remove both side panels.

#### Step 4

Remove the drive board. (See page 18.)

#### Step 5

Remove the shaver motor ground wire from the grounding post.

#### Step 6

Remove the rotary wing. (See page 21).

#### Step 7

Remove the main drain assembly and place it on a flat surface. (See page 19.)

#### Step 8

Remove the 4 bolts securing the shaver motor.

**Note:** Per torque specifications, the bolts tightened to 76 inch/pounds.

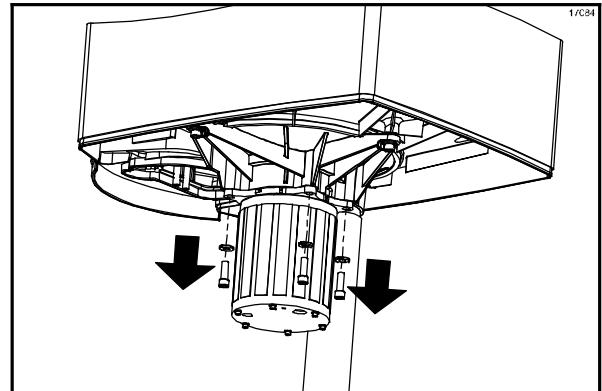


Figure 20

## Blender Motor

---

### Description

The blender motor is the power supply for the blender function.

### Troubleshooting

If unit does not blend, check the following:

1. Power supply
2. ON-OFF/Reset button
3. Safety switch (hopper/cover)
4. Combination of drink sizes
5. Portion of product used for drink size
6. Blender pitcher for damage
7. Blender motor
8. Main power board

**Note:** See page 42 for Blender Motor Troubleshooting Guide.

### Disassembly

#### Step 1



Turn off the power switch and unplug the power cord.

#### Step 2

Remove ice hopper and lid. (See page 17.)

#### Step 3

Remove the Drive Board. (See page 18.)

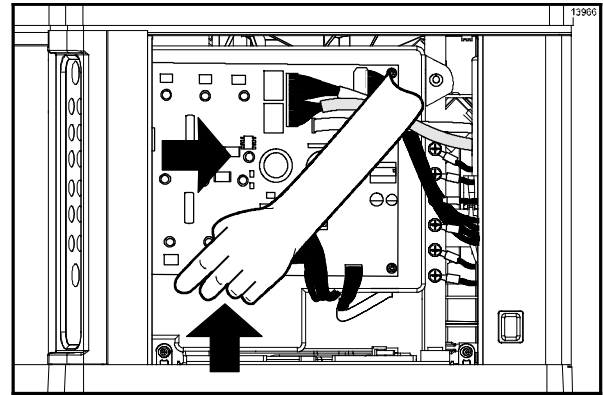


Figure 21

#### Step 4

Position the unit on its side as shown in Figure 22.

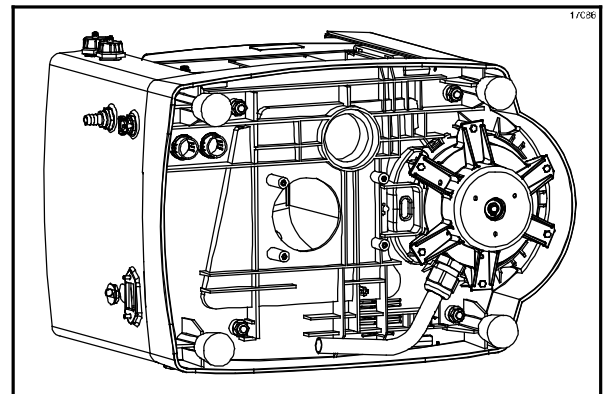


Figure 22

### Step 5

Remove the blender motor screws and remove the motor. (**Note:** Per torque specifications, the screws are tightened to 16 inch/pounds.)

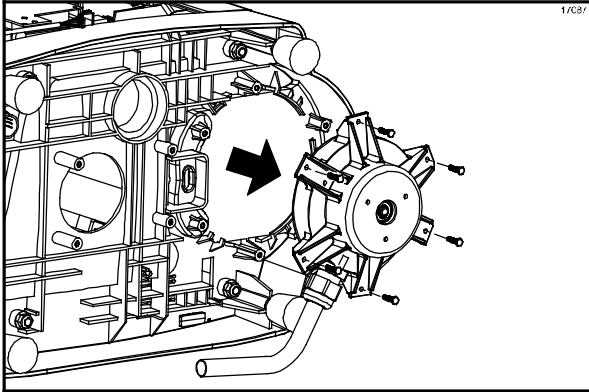


Figure 23

### Step 6

Remove the wire harness by pulling it through the access hole. Bending the wire harness against the connector is necessary in order to pull the harness out. **Do not cut the wires.**

## Ice Chute & Splash Guard

### Splash Guard

**To Install:** Hold the splash guard at a slight angle and lift the splash guard up and forward, locking the hooks of the splash guard onto the posts on the ice chute.

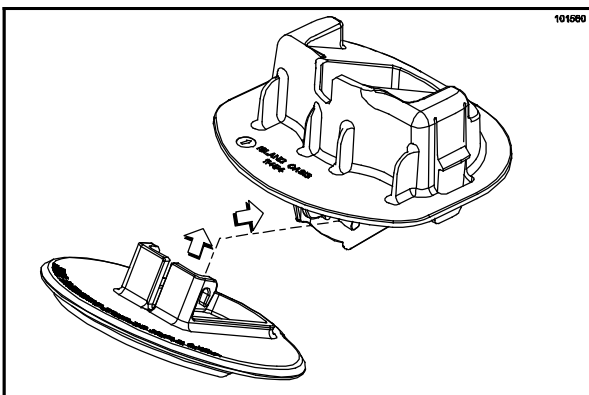


Figure 24

**To Remove:** Holding the splash guard at a slight angle, lift up and pull out and away from the ice chute to disengage the hooks from the ice chute.

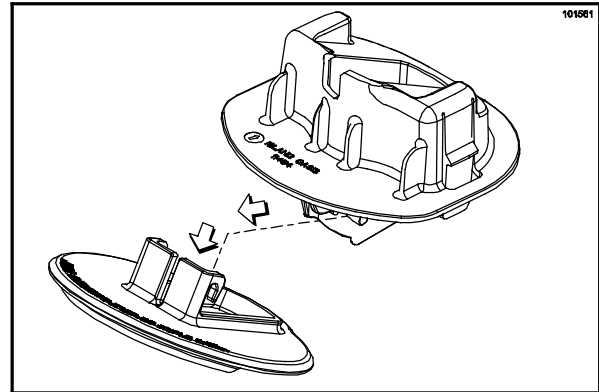


Figure 25

### Ice Chute

**To Remove:** Squeeze the tabs on the ice chute and gently pull down on the chute to disengage.

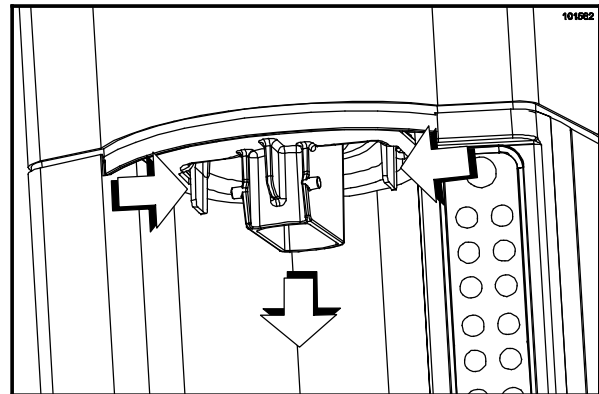


Figure 26

**To Install:** Lift the ice chute up into place in the main drain. Be sure both tabs are locked securely into place by gently pulling down on the ice chute.

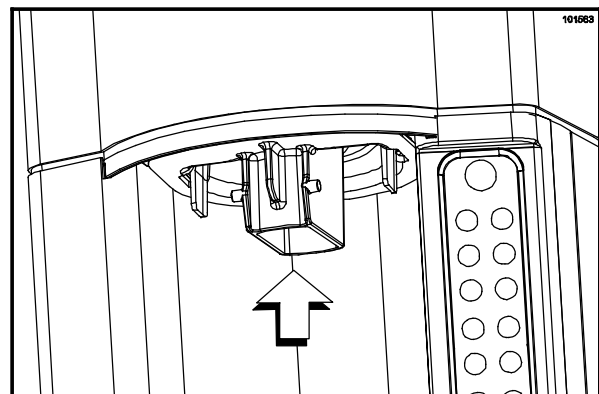


Figure 27

## Shaver Cartridge

The shaver blade has a single edge design that cannot be re-sharpened.

### Troubleshooting

If the shaved ice becomes inconsistent in the texture, check the blade for damage and dullness. Replace the blade if necessary.

If there is not enough ice being shaved, check the blade for dullness. The timing can also be adjusted for the required ice flow.

### Replacement

#### Step 1



Turn off the power switch and unplug the power cord.

#### Step 2

Remove the ice hopper and lid. (See page 17.)



**WARNING: The shaver blade is very sharp.** Caution must be used when working in or near the shaver assembly. Failure to follow this instruction may result in personal injury from blade contact.

#### Step 3

Remove the ice shaver cone cover by pressing the rear tab inward and rotating the cover clockwise.

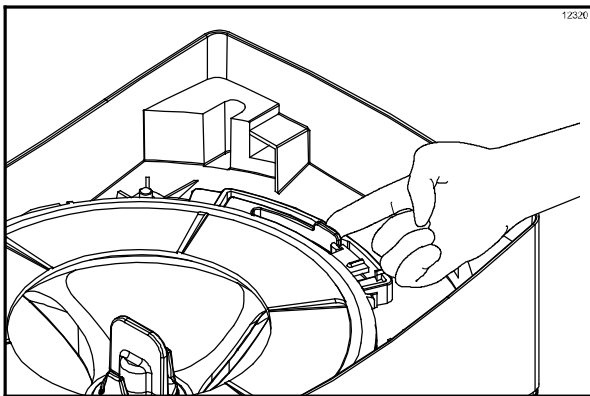


Figure 28

#### Step 4

Remove ice scrambler by squeezing the tabs inward and rotating clockwise while holding the wing securely. (**Note:** Secure the o-ring for re-assembly.)

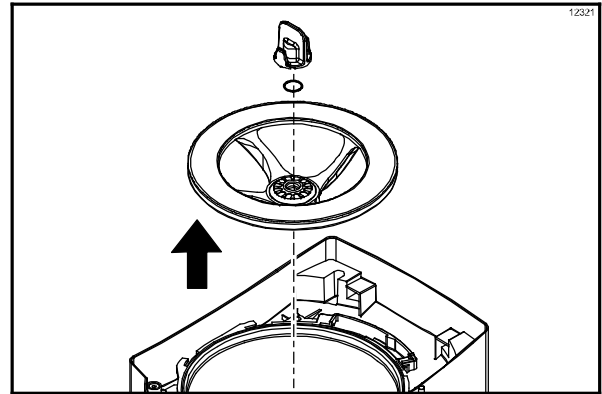


Figure 29

#### Step 5

Slide the shaver cartridge out of the cone.

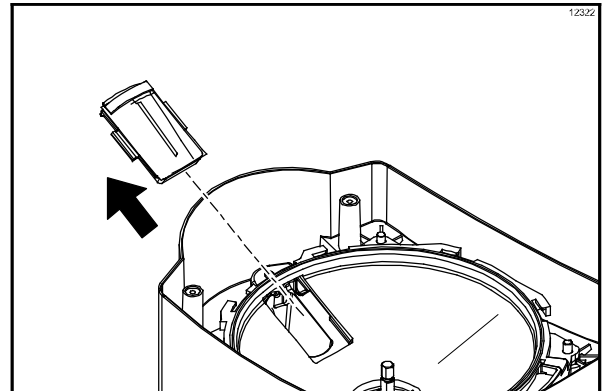


Figure 30

#### Step 6

Reassemble the system and check the ice volume for proper calibration.

## On-Off/Reset Switch

---

The On-Off/Reset switch provides power to the unit and is also used to reset the Drive Board in the event of a shaver or blender motor lock.

## Troubleshooting

If there is no power to the unit check the following:

1. Check outlet
2. Check power cord at outlet
3. Toggle switch
4. Drive board and dispense board fuses
5. Check connection at the switch to the harness.

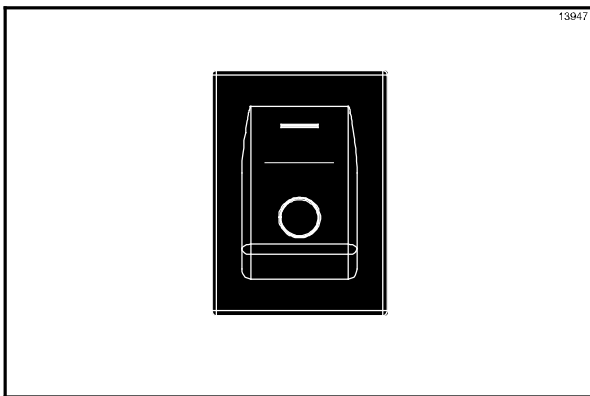


Figure 31

## Replacement

### Step 1



Disconnect the power cord from the outlet.

### Step 2

Press the toggle switch snap-in feature to remove the panel (keep wires connected).

### Step 3

Using a pair of needle nose pliers, remove the wire connectors, one at a time, and reconnect to the new switch.

### Step 4

Remount the switch into the panel.

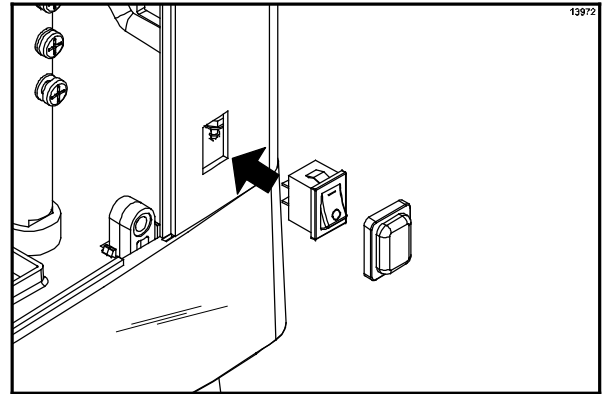


Figure 32

## Drain System

---

The shaver/blender drain system consists of a series of hoses. There is one interior hose and one exterior hose that connect to an exterior drip pan. These must be kept clean to maintain water flow. The exterior hose must be running downhill, with no kinks.

**Note:** This is not required when the shaver unit is being used with the rinse station. When using the rinse station, the drain pan should be removed.

## Troubleshooting

If the drain lines are not kept clean, a build-up of algae will occur. This will block the water flow and cause back-up and possible leaks. The use of a cleaner will prevent this problem. To clean clogged drain lines, use a small wire bottle brush available from your Taylor Distributor. To check for leaks, pour water into the top and bottom drain holes.

**Note:** To remove the drain hose from its connection, if necessary, cut the hose with a razor blade. This will allow for easy removal.

## Blender Pitcher

---

The blender pitcher was designed with no replaceable wear items and will only sit on the blender base in one position. (**Note:** Never wash the blender pitcher in the dishwasher.)

## Safety Switch

---

The purpose of the safety switch is to interrupt power to the unit when the cover is removed. If the safety switch is not performing this function, check that the white safety switch rod located in the rear left hand corner of the ice hopper is in place.

Check to see if the magnet located in the rear left hand corner of the hopper cover which engages the safety switch rod is in place. Replace the ice hopper or the ice hopper cover if either component is missing.

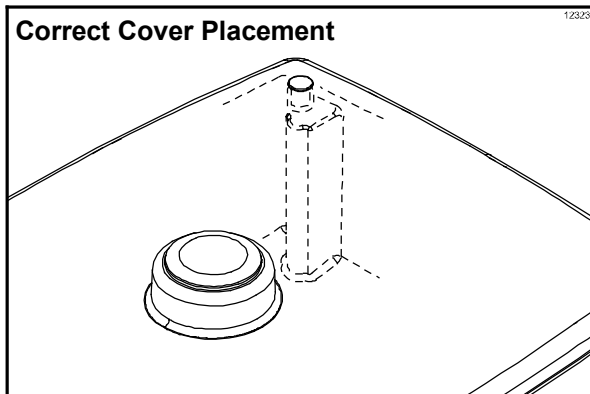


Figure 33

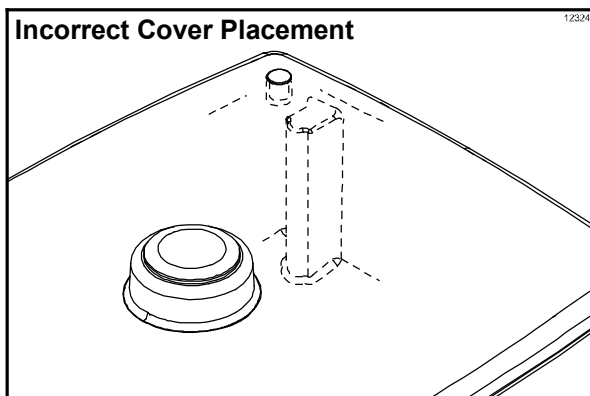


Figure 34

## Water Dispense

---

The water dispense supplies water to the blender pitcher during drink dispensing.

## Troubleshooting

If water is not dispensed or an incorrect amount is dispensed, check the following:

### Step 1

Make sure the water line is connected to the rear of the system and is free from kinks.

### Step 2

Make sure that adequate water pressure is being supplied to the system.

### Step 3

Make sure the water filtration is working properly.

### Step 4

Check the system for leaks.

## Disassembly

### Step 1



Turn off the power switch and unplug the power cord.

### Step 2

Remove the ice hopper and lid. (See page 17.)

### Step 3

Remove the main drain assembly. (See page 19).

### Step 4

Remove the Dispense PCB cover.

**Step 5**

Disconnect and remove the water valve connector from the Dispense PCB.

**Step 6**

Remove the water inlet tube from the manifold assembly.

**Step 7**

Remove the manifold mounting screws located in the Dispense PCB mounting box.

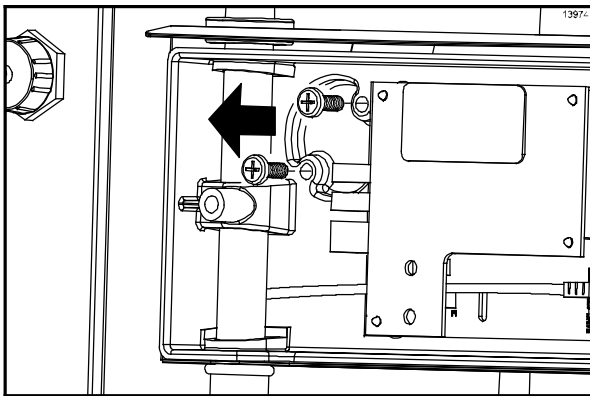


Figure 35

**Step 8**

Remove the manifold.

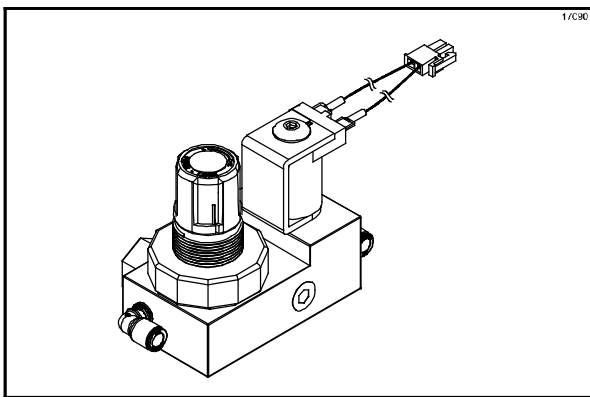


Figure 36

## Cane Dispense

---

The Cane Dispense supplies liquid cane to the blender pitcher during drink dispensing.

### Troubleshooting

If cane is not dispensed or an incorrect amount is dispensed, check the following:

**Step 1**

Make sure the cane source is present and has an adequate supply.

**Step 2**

Make sure the cane line is connected to the rear of the system and is free from kinks.

**Step 3**

Check the system for leaks.

### Disassembly

**Step 1**

Turn off the power switch and unplug the power cord.

**Step 2**

Remove the ice hopper and lid. (See page 17.)

**Step 3**

Remove the Drive Board. (See page 18.)

**Step 4**

Remove the main drain assembly. (See page 19.)

**Step 5**

Remove the Dispense PCB cover.

**Step 6**

Remove the cane pump connector from the Dispense PCB.

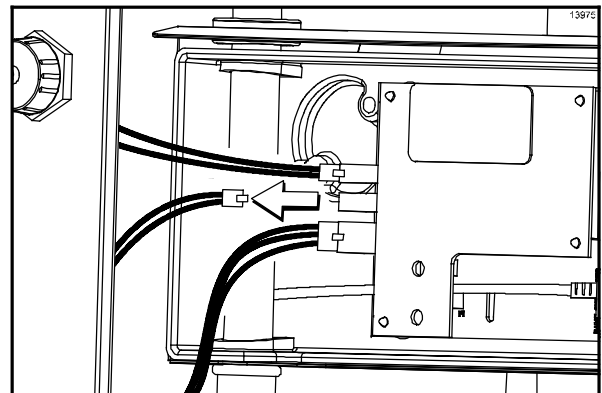


Figure 37



**Step 7**

Remove the cane pump ground lug from the grounding post.

**Step 8**

Remove the four (4) screws from the rear of the unit. Remove the pump assembly.

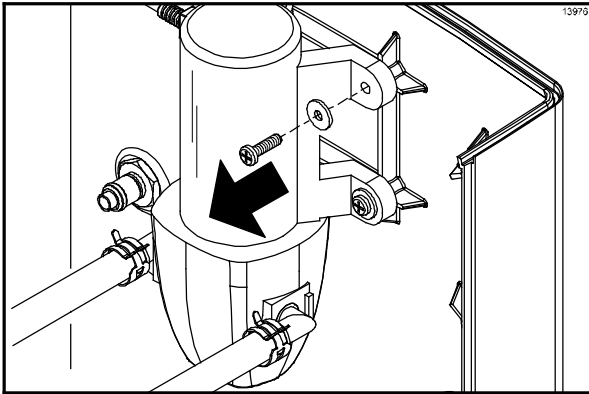


Figure 38

**Step 9**

Remove the elbow connection from the pump inlet by sliding the retaining tab down and pulling out the elbow.

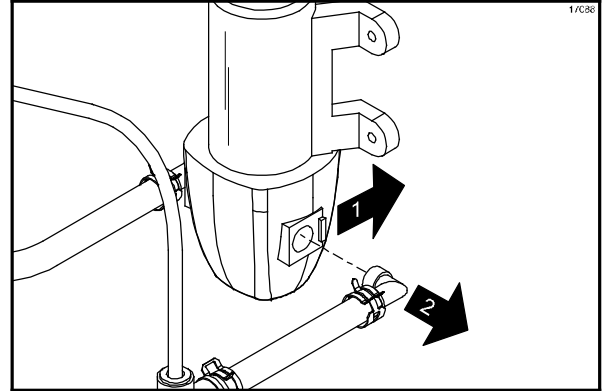


Figure 39

**Step 10**

Remove the inner jam nut holding the cane inlet connector and slide the pump inlet tube and elbow out through the rear of the unit.

# Blender Drive Board

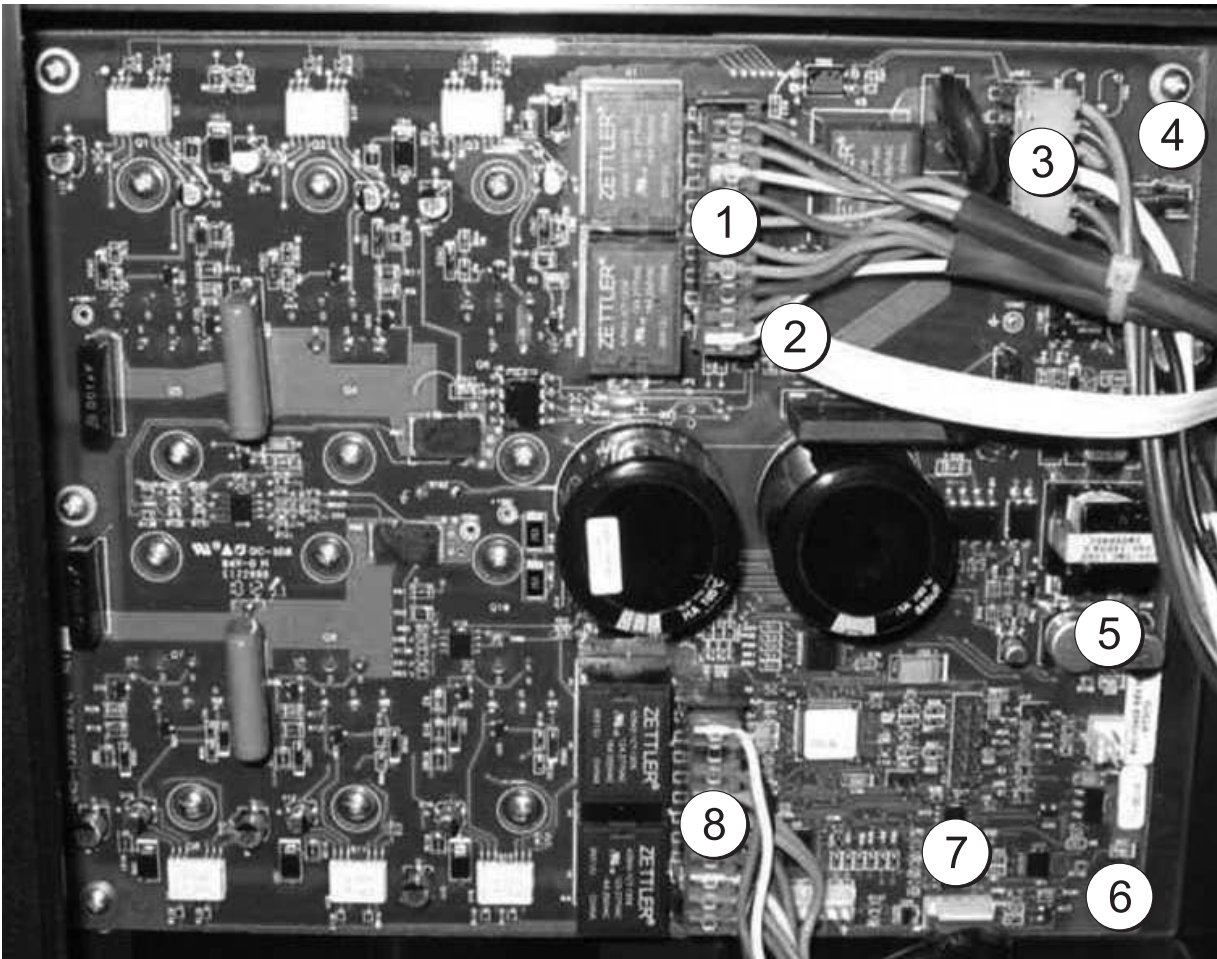


Figure 40

**Note:** See page 43 for blender drive board LED indicator troubleshooting.

ITEM	DESCRIPTION
1	KIT A.-MOTOR SHAVER
*2	DRAIN-MAIN W/SAFETY SWITCH
**3	POWER SUPPLY 115 VAC
4	FUSE-BOARD-DRIVER I.O.
5	LED-HEARTBEAT
6	LED-TROUBLESHOOTING
**7	COMMUNICATION CABLE TO DISPENSE BOARD
8	KIT A.-MOTOR BLENDER

\* LID-IN-PLACE SENSOR IS IN ICE HOPPER SUPPORT

\*\* PART OF 066891 HARNESS

# Blender Pitcher Rinse Station

---

The blender pitcher rinse station is activated when a pitcher is properly placed in position, which lowers the actuator. When the actuator is lowered, the magnet inside the actuator closes a reed switch beneath the bowl. After a short delay, rinse water begins to flow from the spray rinse nozzle.

If the water pressure to the unit is correct, the water will flow for approximately six seconds and dispense approximately 25 ounces of water.

**Note:** The rinse duration setting is adjustable and can be set to 5, 7, 9, or 12 seconds. (See page 32.)

To repeat this cycle, the pitcher must be removed, allowing the actuator to rise to its natural “up” position. This action opens the reed switch. Once the reed switch is open, the rinse cycle resets. This allows the cycle to repeat when another pitcher is placed on the rinse station.

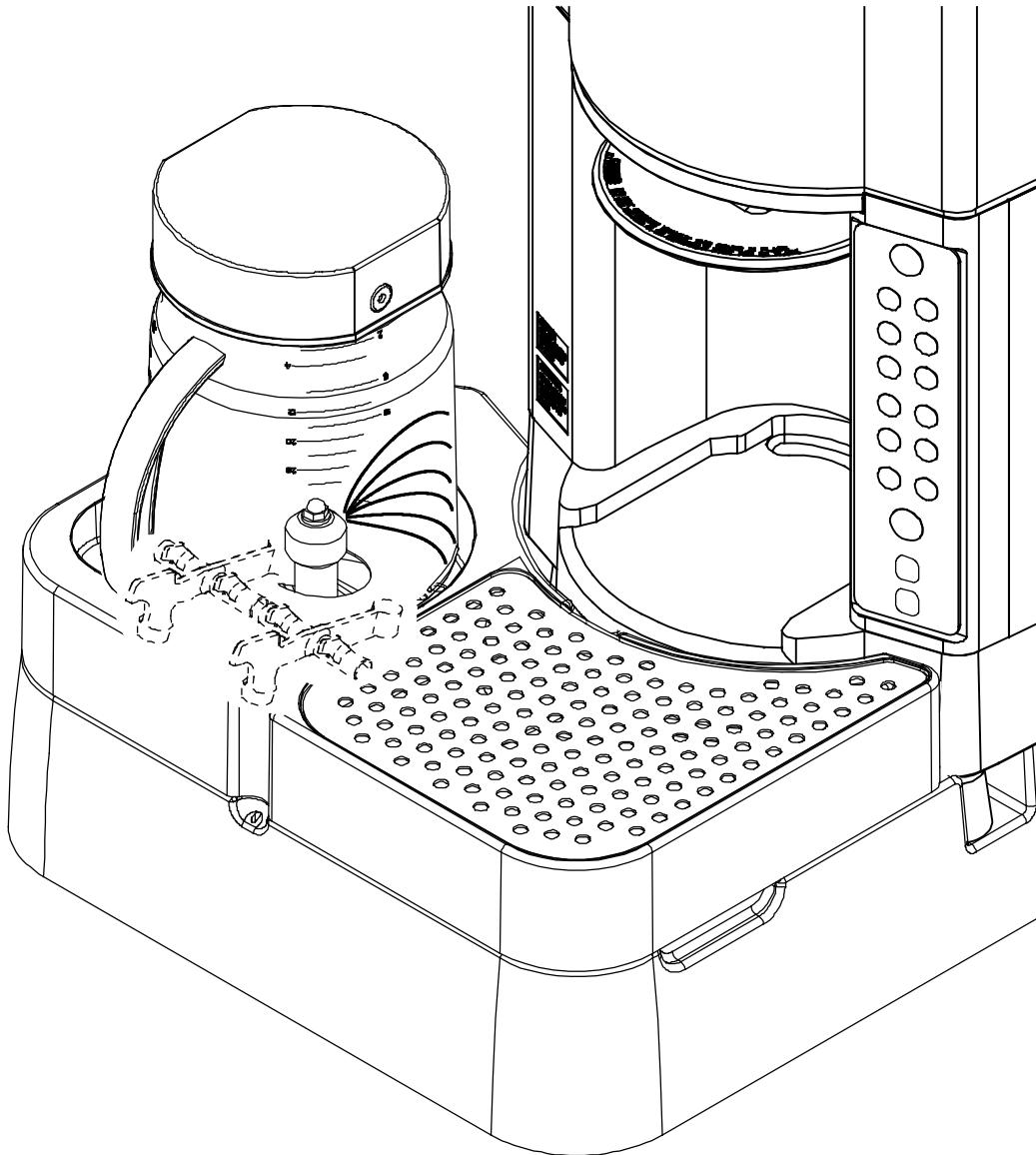


Figure 41

# Blender Pitcher Rinse Station Repairs

## Rinse Duration Settings

The rinse duration is adjustable to 5, 7, 9, or 12 seconds. Adjust the rinse time by using the rotary dip switch on the control PCB located under the bottom cover of the unit. Note the dip switch settings listed in the table below.

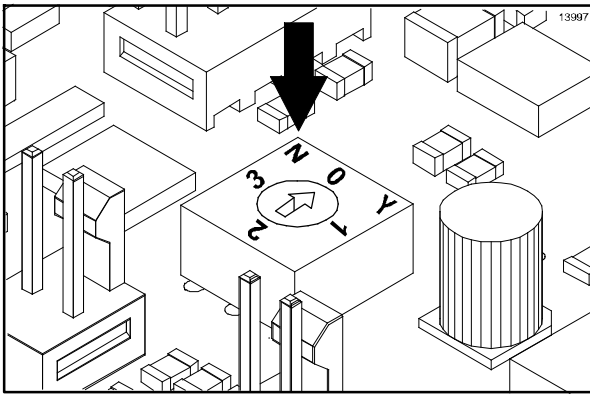


Figure 42

Water Usage (gallons)				
Based on Inlet Pressure & Rinse Time Settings				
Dip Switch Setting	Rinse Times	Incoming Water Pressure		
		30 psi	40 psi	60 psi
0	5 seconds	0.29 gal	0.33 gal	0.41 gal
1	7 seconds	0.41 gal	0.47 gal	0.57 gal
2	9 seconds	0.52 gal	0.60 gal	0.74 gal
3	12 seconds	0.69 gal	0.80 gal	0.98 gal

## Rinse Station Triggers

The Rinse Station detects the placement of the blender pitcher on the rinse station pitcher platform. If the pitcher triggers are not working properly, an adjustment to the reed switches may be necessary.



**The main power supply(s) to the unit must be disconnected prior to performing any installation, maintenance, or repairs.** Failure to follow this instruction may result in personal injury or death from electrical shock or hazardous moving

parts as well as poor performance or damage to the unit.

1. Turn off the main power to the unit.
2. Disconnect the water supply at the quick connect fitting.
3. Remove the front pan assembly.
4. Remove the bottom cover by removing the screws.

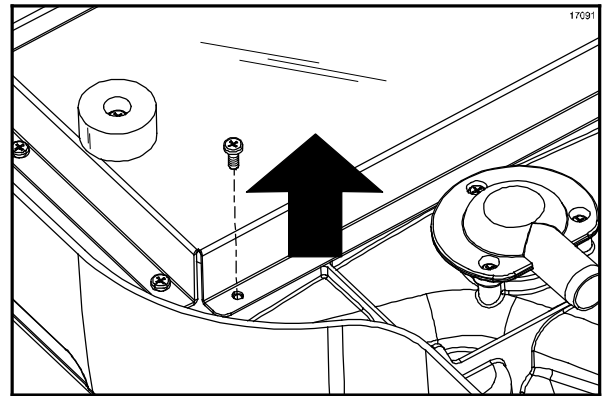


Figure 43

5. Install a jumper on P1 to put the drive board into the Test Mode. This will allow the triggers to be tested individually.

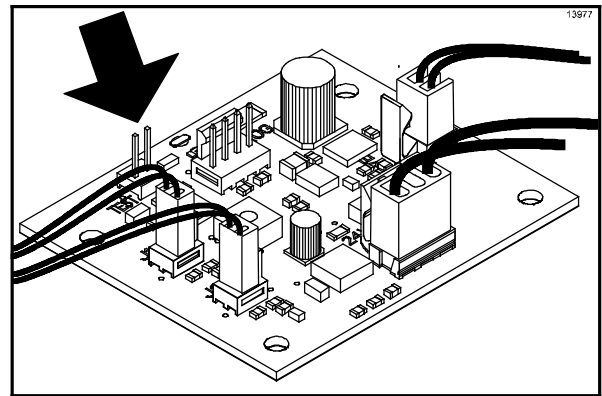


Figure 44

6. Replace the front pan.
7. Place the main power switch in the ON position.
8. Test the triggers separately.

- Adjust the reed switches until the triggers are functioning properly. Functioning triggers will cause an audible click of the solenoid.

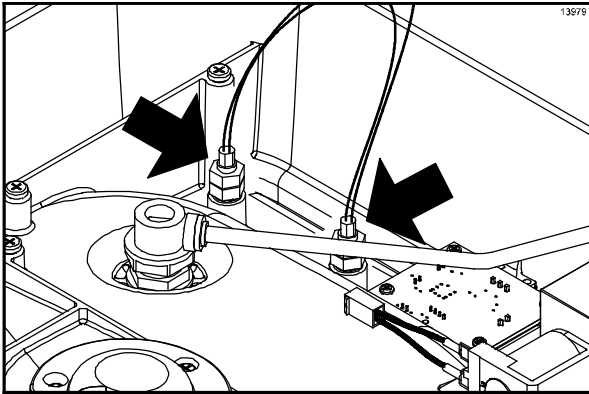


Figure 45

- Swap the triggers and ensure that the triggers will function in either position.



- Turn off the main power.
- Remove the jumper.
- Reassemble the unit.

## Filter Screen

The filter is designed to keep debris away from the solenoid that triggers the flow of water through the Rinse Station spray nozzle.

To clean or replace the filter screen, perform the following steps.



- Turn off the main power to the unit.
- Disconnect the power adaptor from the main power jack.
- Disconnect the water supply at the quick connect fitting.
- Remove the front pan assembly.
- Remove the filter cover by turning the cover to the left 1/4 turn.

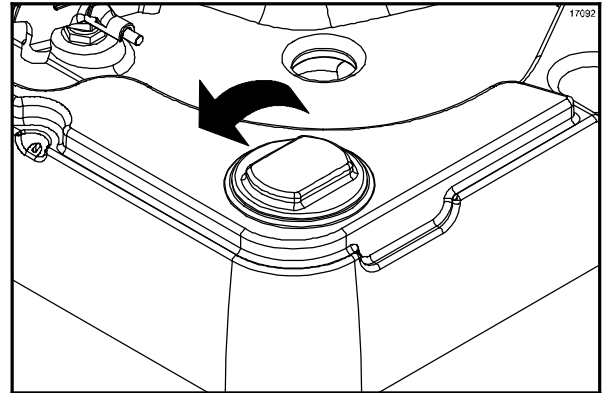


Figure 46

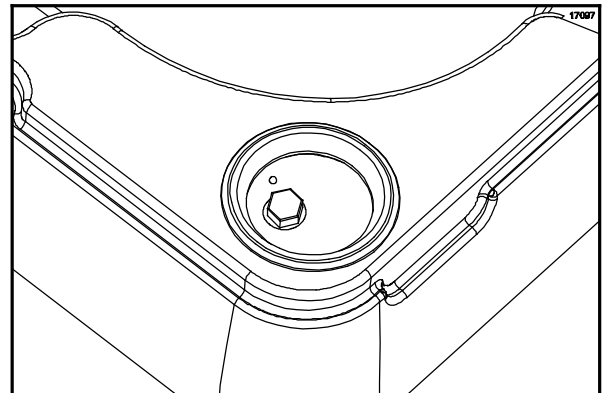


Figure 47

- Remove the hex cap on the filter.

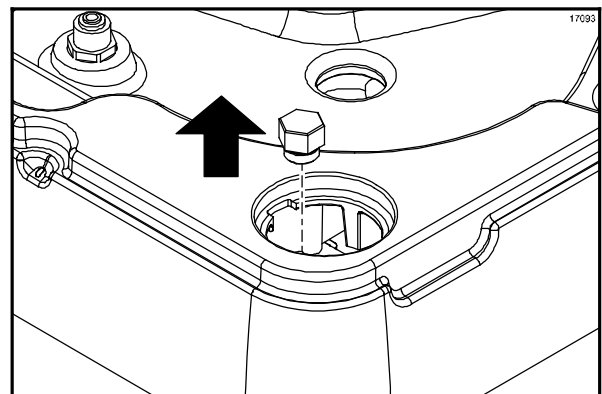


Figure 48

- Remove and clean or replace the screen.
- Reassemble the unit.

# Main Power Wiring Harness

The main power wiring harness provides power to the main control PCB.

To replace the main wiring harness, perform the following steps.



1. Turn off the main power to the unit.
2. Disconnect the power adaptor from the main power jack.
3. Remove the bottom cover.
4. Remove the power cover by removing the screw.

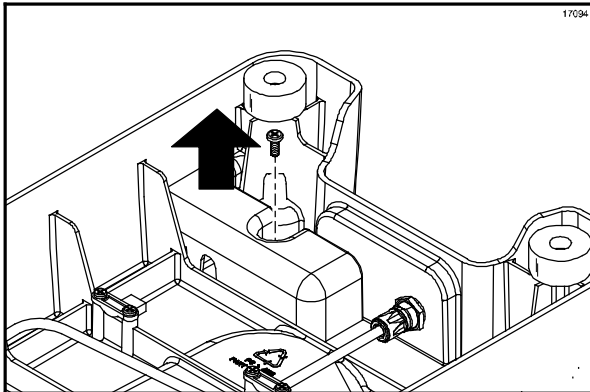


Figure 49

5. Disconnect the wiring harness from the PC board.

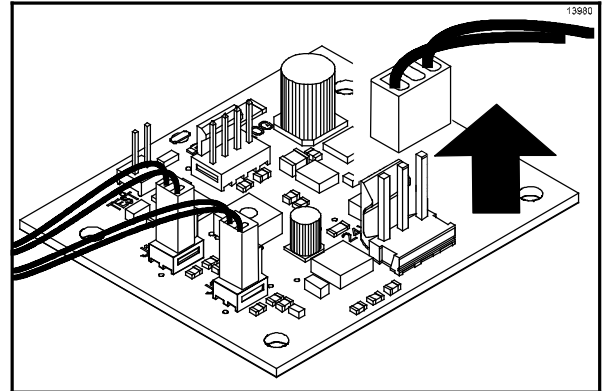


Figure 50

6. Remove the main power jack from the Rinse Station base.

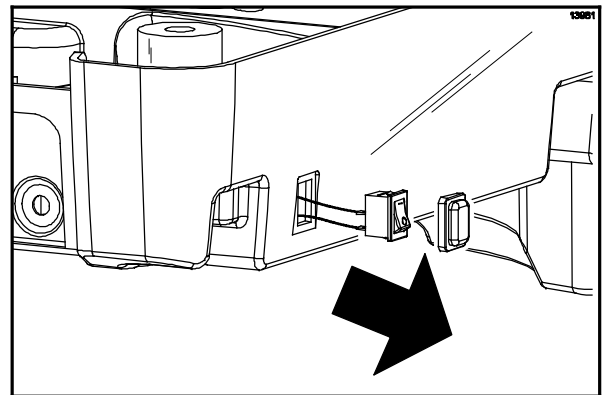


Figure 51

7. Remove the main power switch and pull the wiring harness out through the main power switch hole.
8. Reverse the process to replace the wiring harness.

## Rinse PCB

---

The rinse PCB functions as the control center of the Rinse Station.

To replace the rinse PCB, perform the following steps.



1. Turn off the main power to the unit.
2. Disconnect the power adaptor from the main power jack.
3. Disconnect the water supply at the quick connect fitting.
4. Remove the bottom cover.
5. Disconnect all four (4) connections from the rinse PC board.

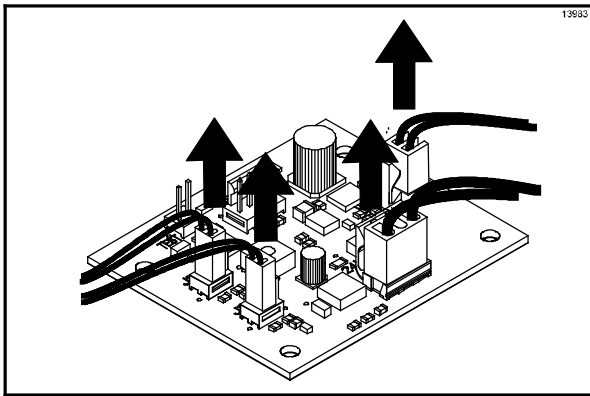


Figure 52

6. Remove the four (4) screws holding the PC board onto the base.
7. Install the new PC board.
8. Reassemble the unit.

## Rinse Manifold Replacement

---

To replace the rinse manifold, perform the following steps.



1. Turn off the main power to the unit.
2. Disconnect the power adaptor from the main power jack.
3. Disconnect the water supply at the quick connect fitting.
4. Remove the bottom cover.
5. Disconnect the tubing from each end of the water valve manifold.

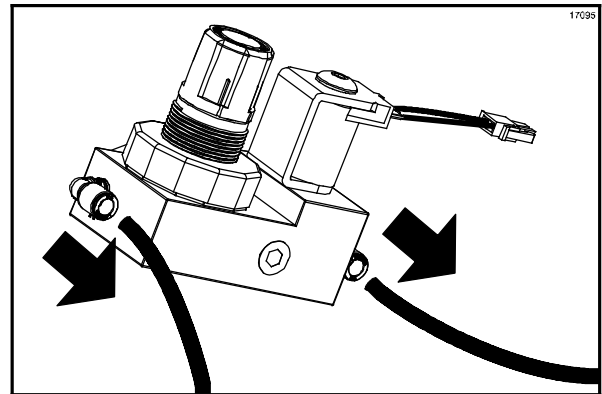


Figure 53

6. Remove the three (3) screws which secure the water valve manifold to the rinse station bracket.
7. Remove the three (3) screws which secure the bracket to the base.
8. Install the new water valve manifold.
9. Reconnect the tubing.
10. Reinstall the bottom cover.





## **Section 3: Troubleshooting**

- **General Troubleshooting**
- **Rinse Station Troubleshooting**
- **Blender Troubleshooting**

# General Troubleshooting

PROBLEM	POSSIBLE CAUSE	REMEDY
Blender pitcher is damaged.	Abuse or excessive wear.	Replace blender pitcher.
Shaved ice has inconsistent texture.	The shaver blade is worn.	Replace the shaver blade.
Unit runs, but does not shave ice.	The ice hopper is empty.	Refill the hopper.
	The shaver blade is damaged.	Replace the shaver blade.
Unit runs, but does not blend ice.	Wrong volume or product was added.	Remeasure and pour product.
	Wrong volume of ice.	Check the ice volume. Adjust calibration as needed.
	Wrong volume of water.	Check the water volume. Adjust calibration as needed.
	Wrong volume of cane sugar.	Check the cane sugar volume. Adjust calibration as needed.
Unit has no power and no lights.	The power switch is OFF	Place the power switch in the ON position.
	The power cord is not plugged in.	Check the connection at the outlet and ensure the outlet is functioning.
	Safety switch is open.	Ensure that the hopper cover is properly seated on the hopper.
	Drive board and/or dispense board issue and/or fuse blown.	Check motors, replace board / fuse.
Water is not dispensing.	Water line at the back of the unit is not connected.	Connect the water line.
	Water line is kinked.	Straighten water line.
	Low water pressure in the store.	Check filter and store plumbing.
Water is leaking from the unit.	Poor fitting/hose connection.	Check all visible fittings and ensure all hoses are fitted into the fittings properly.
	Cracked hose.	Replace cracked hose.
	Broken fitting.	Replace fitting.

<b>PROBLEM</b>	<b>POSSIBLE CAUSE</b>	<b>REMEDY</b>
Cane sugar is leaking from the unit.	Poor fitting/hose connection.	Check all visible fittings and ensure all hoses are fitted into the fittings properly.
	Cracked hose.	Replace hose.
	Broken fitting.	Replace fitting.
	Pump issue.	Check pump and replace if necessary.
Cane sugar is not dispensing or is dispensing an incorrect amount.	The cane sugar bottle is missing or has an inadequate supply.	Replace the cane sugar supply.
	Poor fitting/hose connection.	Check the connection at the rear of the unit.
	Cracked hose.	Repair/replace hose.
	Broken fitting.	Replace the fitting.
	The pump is not working.	Evaluate the pump. Replace if necessary.
STOP/CANCEL button and recipe buttons are flashing.	Cable is disconnected or has a poor connection.	Properly connect the cable.
Recipe key #1 - fast blink (hopper/lid sensor fault).	Hopper cover is not seated properly.	Adjust hopper cover. Replace cover if broken.
	Hopper is not seated properly.	Adjust hopper to sit properly in main unit. Replace hopper if broken.
	Safety switch issue.	Check ribbon cable connection on main board/replace safety switch board if necessary .
Recipe key #2 - fast blink (shaver is jammed).	Large piece of ice has jammed the shaver.	Remove ice, fill with new ice cubes, and reset the unit.
	Foreign object is causing the jam.	Remove the object and reset the unit.
	Motor failure.	Reset the unit. Use the Motor Troubleshooting Guide to evaluate the motor and replace if necessary.
Recipe key #2 - slow blink (shaver is over temperature).	The shaver motor is over temperature.	Reset the unit. Use the Motor Troubleshooting Guide to evaluate the motor and replace if necessary.
	Motor failure.	Use the Motor Troubleshooting Guide to evaluate the motor and replace if necessary.

<b>PROBLEM</b>	<b>POSSIBLE CAUSE</b>	<b>REMEDY</b>
Recipe key #2 - continuous illumination (thermistor open fault).	Motor failure.	Use the Motor Troubleshooting Guide to evaluate the motor and replace if necessary.
Recipe key #3 - fast blink (blender over temperature or jam).	Blender motor is jammed.	Reset the unit and press the BLEND key. Repeated jams indicate a failed blender motor. Use the Motor Troubleshooting Guide to evaluate the motor and replace if necessary.
Recipe key #3 - slow blink (blender over temperature)	The blender motor is over temperature.	Reset the unit. Use the Motor Troubleshooting Guide to evaluate the motor and replace if necessary.
Recipe key #3 - continuous illumination (thermistor open fault).	Motor failure.	Use the Motor Troubleshooting Guide to evaluate the motor and replace if necessary.
Recipe key #4 - fast blink (over temperature fault).	Motor drive board is over temperature.	Reset the unit. Use the Drive Board Troubleshooting guide to evaluate the board and replace if necessary.
Recipe key #4 - slow blink (low bus voltage).	Low voltage supplied to unit.	Use the Drive Board Troubleshooting guide to evaluate the board and replace if necessary.
Recipe key #1, 2, 3, or 4 - fast blink (communication fault).	No communication between the keypad and the dispense board.	Check the ribbon cable connections. Replace keypad, ribbon cable, or the dispense PCB if necessary.

# Rinse Station Troubleshooting

PROBLEM	POSSIBLE CAUSE	REMEDY
Unit will not rinse.	The power switch is in the OFF position.	Place the power switch in the ON position.
	The power plug is not inserted into the power jack.	Check/correct the connection at the rear of the unit.
	The DC converter is not plugged into the wall outlet.	Check/correct the connection at the outlet.
	The DC converter is not providing 24 volts.	Check the output of the converter.
	The reed switch(es) is not in position or is defective.	Check position of reed switch. It should be fully inserted into the threads. Replace if necessary.
	One or both actuators are missing or missing a magnet.	Replace, if necessary.
	The rinse PCB is defective.	Evaluate PCB and replace if necessary.
Blender pitcher is not being rinsed completely.	The water line at the back of the unit is not connected.	Connect the water line.
	The water line is kinked.	Straighten the water line.
	Cold water is being used for rinsing.	Use warm water to aid in the rinsing process.
	The rinse cycle is not long enough.	Adjust the cycle time on the Rinse PCB.
Blender pitcher is not being rinsed completely.	Low water pressure in the store.	Inform the store.
Water is leaking from the unit.	Poor fitting/hose connection.	Check all visible fittings and ensure all hoses are fitted into the fittings properly.
	The hose is cracked.	Replace the hose if necessary.
	Broken fitting.	Replace the fitting if necessary.
	The water manifold is defective.	Repair with service parts; replace if necessary.
Unit is not draining.	The drain line is kinked.	Straighten the drain line.
	There is no air gap between the drain line and the drain.	Provide air gap.
	The drain line is clogged.	Unclog the drain line.

# Blender Troubleshooting

---

## Ice Shaver Motor Troubleshooting

### 1. Pin Continuity

- a. Pins 8, 9, and 10 should have continuity.
- b. Pins 8, 9, and 10 should NOT have continuity to pins 1 -7.
- c. No pins should have continuity to ground.

If any of the continuity tests above fail, replace the motor.

### 2. Motor Shaft

- a. Facing the motor shaft, turn the shaft counter-clockwise. Use caution as the shaver blade is extremely sharp. The shaft should turn smoothly, not drag or make a noise while turning. (Note: This motor requires some force to turn and will cog or step into position.) If the motor does not turn freely, replace the motor.

### 3. Power Leads Resistance

- a. Remove the orange connector from the drive board and insert the header into the connector.
- b. Check the resistance between the motor power leads (red, white, and black). This reading should be  $\sim 11.3 \Omega$ . The acceptable range is  $9.8 \Omega$  to  $12.3 \Omega$ . If the resistance is outside the acceptable range, replace the motor.
- c. Check resistance between the two gray wires (thermistor). The reading should be  $\sim 11.3 \text{ K}\Omega$  at 70 F. The typical range at 70 F is  $8.8 \text{ K}\Omega$  to  $13.65 \text{ K}\Omega$ . If the multimeter reads "OL", the thermistor is broken. If the multimeter displays less than  $5 \Omega$  or "0", the thermistor is shorted. If the thermistor is broken or shorted, replace the motor.
- d. Check continuity between the ground (green/yellow) wire and each lead, one at a time. The multimeter should display "OL" for each measurement. If not, there is a dead short in the motor and the motor should be replaced.

## Blender Motor Troubleshooting

### 1. Pin Continuity

- a. Pins 1, 2, and 3 should have continuity.
- b. Pins 1, 2, and 3 should NOT have continuity to pins 4 - 10.
- c. No pins should have continuity to ground.

If any of the continuity tests above fail, replace the motor.

### 2. Motor Shaft

- a. Facing the motor shaft, turn the shaft (using a metal object) counter-clockwise. The shaft should turn smoothly, not drag or make a noise while turning. (Note: This motor turns freely with minimal force and does not cog.)

### 3. Power Leads Resistance

- a. Remove the orange connector from the drive board and insert the header into the connector.
- b. Check resistance between the motor power leads (red, white, and black). This reading should be  $\sim 1.3 \Omega$ . The acceptable range is  $0.8 \Omega$  to  $1.5 \Omega$ . If the resistance is outside the acceptable range, replace the motor.
- c. Check resistance between the two gray wires (thermistor). The reading should be  $\sim 11.3 \text{ K}\Omega$  at 70 F. The typical range at 70 F is  $8.8 \text{ K}\Omega$  to  $13.65 \text{ K}\Omega$ . If the multimeter reads "OL", the thermistor is broken. If the multimeter displays less than  $5 \Omega$  or "0", the thermistor is shorted. If the thermistor is broken or shorted, replace the motor.
- d. Check continuity between the ground (green/yellow) wire and each lead, one at a time. The multimeter should display "OL" for each measurement. If not, there is a dead short in the motor and the motor should be replaced.

## Drive Board Troubleshooting

1. Check the supply circuit providing power to the machine for proper voltage (~120 VAC).
2. Turn the machine off, unplug, and wait 10 seconds for the charged capacitors to lose charge. Expose the drive board and check these items in the following order:
  - a. Make sure all connectors are seated firmly onto their pins. Loose or unseated connectors will cause fault readings.
  - b. Check the fuse. Visually, the fuse filament should be continuous and not burnt. Check continuity with the multimeter. The fuse should not read "OL" when measuring ohms.
  - c. Plug in and turn on the machine. Locate the green LED (D36) on the drive board, which is approximately 1.5" above the lower right corner of the drive board. The green LED should be illuminated continuously. If the LED is not illuminated, the board is defective. Replace the drive board.
  - d. Locate the red LED (D21) on the drive board, which is approximately 0.5" above the lower right corner of the drive board.
    1. If the LED is flashing 1 second on then 1 second off, the drive board operation is normal.
    2. If the LED is flashing 2 pulses per second, the drive detects low voltage on the power bus. If the supply circuit voltage is correct, replace the drive board.
    3. If the LED is flashing once every two seconds, the ice hopper lid switch is in the open state. Check that the ice hopper lid is on and the sensor pulls up magnetically. Check that the LID1 connector is firmly attached to the board. Simulate a closed state on the drive board by jumping LID1 pins together with a two pin jumper or a patch cord. If the error goes away while jumped, check the lid sensor mechanism. If jumping LID1 does not change the state of the error, replace the drive board.
    4. If the LED is flashing 2 times, pauses and repeats, the drive board detects a locked blender motor. Check for obstructions in the blender pitcher. Troubleshoot the blender motor.
    5. If the LED is flashing 3 times, pauses and repeats, the drive board detects a locked ice shaver motor. Check for obstructions in the ice hopper. Troubleshoot the ice shaver motor.
    6. If the LED is flashing 4 times, pauses and repeats, the drive board detects over temperature of the blender motor. This may occur due to high frequency use of the machine. If the blender motor connector is not seated, this error may occur. Troubleshoot the blender motor.
    7. If the LED is flashing 5 times, pauses and repeats, the drive board detects over temperature of the ice shaver motor. This may occur due to high frequency use of the machine. If the ice shaver motor connector is not seated, this error may occur. Troubleshoot the ice shaver motor.
    8. If the LED is flashing 6 times, pauses and repeats, the drive board detects over temperature of the motor. This may occur due to high frequency use of machine. The drive board heat sink is a black section of metal below the left side of the electronics. If the metal is cool while the control indicates over temperature, replace the drive board. If the metal is hot, troubleshoot both motors.
    9. If the LED is flashing 8 times, the blender circuit detects an over current fault. Field test the motor. If the motor is okay and the fault persists, replace the drive.
    10. If the LED is flashing 9 times, the shaver circuit detects an over current fault. Field test the motor. If the motor is okay and the fault persists, replace the drive.

11. If the LED is flashing 10 times, the blender motor winding has a short to motor case. Field test the motor.  
\*\*(Controller will not be damaged by bad motor.) \*\*This reports on Touchscreen as BLENDER MOTOR LOCK. Check software version. This applies to v2.98 USA; 1.30 and later for International.

12. If the LED is flashing 11 times, the shaver motor winding has a short to motor case. Field test the motor.  
\*\*(Controller will not be damaged by bad motor.) \*\*This reports on Touchscreen as SHAVER MOTOR LOCK. Check the software version. This applies to v2.98 USA; 1.30 and later for International.



## **Section 4: Parts**

- **Warranty Explanation**
- **Exploded Views**
- **Parts List**
- **Wiring Diagram**

# Warranty Explanation

---

## TAYLOR COMPANY LIMITED WARRANTY ON TAYLOR GENUINE PARTS

Taylor Company, a division of Carrier Commercial Refrigeration, Inc. ("Taylor") is pleased to provide this limited warranty on new Taylor genuine replacement components and parts available from Taylor to the market generally (the "Parts") to the original purchaser only.

### LIMITED WARRANTY

Taylor warrants the Parts against failure due to defect in materials or workmanship under normal use and service as follows. All warranty periods begin on the date of original installation of the Part in the Taylor unit. If a Part fails due to defect during the applicable warranty period, Taylor, through an authorized Taylor distributor or service agency, will provide a new or re-manufactured Part, at Taylor's option, to replace the failed defective Part at no charge for the Part. Except as otherwise stated herein, these are Taylor's exclusive obligations under this limited warranty for a Part failure. This limited warranty is subject to all provisions, conditions, limitations and exclusions listed below and on the reverse (if any) of this document.

Part's Warranty Class Code or Part	Limited Warranty Period
Class 103 Parts <sup>1</sup>	Three (3) months
Class 212 Parts <sup>2</sup>	Twelve (12) months
Class 512 Parts	Twelve (12) months
Class 000 Parts	No warranty
Taylor Part #072454 (Motor-24VDC *C832/C842*)	Four (4) years

### LIMITED WARRANTY CONDITIONS

1. If the date of original installation of the Part cannot be otherwise verified, proof of purchase may be required at time of service.
2. This limited warranty is valid only if the Part is installed and all required service work in connection with the Part is performed by an authorized Taylor distributor or service agency.
3. The limited warranty applies only to Parts remaining in use by their original owner at their original installation location in the unit of original installation.
4. Installation, use, care, and maintenance must be normal and in accordance with all instructions contained in the Taylor Operator's Manual.
5. Defective Parts must be returned to the authorized Taylor distributor or service agency for credit.
6. This warranty is not intended to shorten the length of any warranty coverage provided pursuant to a separate Taylor Limited Warranty on freezer or grill equipment.
7. The use of any refrigerant other than that specified for the unit in which the Part is installed will void this limited warranty.

---

<sup>1, 2</sup> Except that Taylor Part #032129SER2 (Compressor-Air-230V SERV) and Taylor Part #075506SER1 (Compressor-Air-115V 60HZ) shall have a limited warranty period of twelve (12) months when used in Taylor freezer equipment and a limited warranty period of two (2) years when used in Taylor grill equipment.

## LIMITED WARRANTY EXCEPTIONS

This limited warranty does **not** cover:

1. Labor or other costs incurred for diagnosing, repairing, removing, installing, shipping, servicing or handling of defective Parts, replacement Parts, or new Parts.
2. Normal maintenance, cleaning and lubrication as outlined in the Taylor Operator's Manual, including cleaning of condensers or carbon and grease buildup.
3. Required service, whether cleaning or general repairs, to return the cooking surface assemblies, including the upper platen and lower plate, to an operational condition to achieve proper cooking or allow proper assembly of release sheets and clips as a result of grease build-up on the cooking surfaces, including but not limited to the platen and plate, sides of the shroud or top of the shroud.
4. Replacement of cooking surfaces, including the upper platen and lower plate, due to pitting or corrosion (or in the case of the upper platen, due to loss of plating) as a result of damage due to the impact of spatulas or other small wares used during the cooking process or as a result of the use of cleaners, cleaning materials or cleaning processes not approved for use by Taylor.
5. Replacement of wear items designated as Class "000" Parts in the Taylor Operator's Manual, as well as any release sheets and clips for the Product's upper platen assembly.
6. External hoses, electrical power supplies, and machine grounding.
7. Parts not supplied or designated by Taylor, or damages resulting from their use.
8. Return trips or waiting time required because a service technician is prevented from beginning warranty service work promptly upon arrival.
9. Failure, damage or repairs due to faulty installation, misapplication, abuse, no or improper servicing, unauthorized alteration or improper operation or use as indicated in the Taylor Operator's Manual, including but not limited to the failure to use proper assembly and cleaning techniques, tools, or approved cleaning supplies.
10. Failure, damage or repairs due to theft, vandalism, wind, rain, flood, high water, water, lightning, earthquake or any other natural disaster, fire, corrosive environments, insect or rodent infestation, or other casualty, accident or condition beyond the reasonable control of Taylor; operation above or below the gas, electrical or water supply specification of the unit in which a part is installed; or Parts or the units in which they are installed repaired or altered in any way so as, in the judgment of Taylor, to adversely affect performance, or normal wear or deterioration.
11. Any Part purchased over the Internet.
12. Failure to start due to voltage conditions, blown fuses, open circuit breakers, or damages due to the inadequacy or interruption of electrical service.
13. Electricity, gas or other fuel costs, or increases in electricity or fuel costs from any reason whatsoever.
14. Damages resulting from the use of any refrigerant other than that specified for the unit in which the Part is installed will void this limited warranty.
15. Any cost to replace, refill or dispose of refrigerant, including the cost of refrigerant.
16. **ANY SPECIAL, INDIRECT OR CONSEQUENTIAL PROPERTY OR COMMERCIAL DAMAGE OF ANY NATURE WHATSOEVER.** Some jurisdictions do not allow the exclusion of incidental or consequential damages, so this limitation may not apply to you.

This limited warranty gives you specific legal rights, and you may also have other rights which vary from jurisdiction to jurisdiction.

## LIMITATION OF WARRANTY

**THIS LIMITED WARRANTY IS EXCLUSIVE AND IS IN LIEU OF ALL OTHER WARRANTIES, CONDITIONS AND/OR REMEDIES UNDER THE LAW, INCLUDING ANY IMPLIED WARRANTIES OR CONDITIONS OF MERCHANTABILITY OR FITNESS FOR A PARTICULAR PURPOSE. THE ORIGINAL OWNER'S SOLE REMEDY WITH RESPECT TO ANY PRODUCTS SHALL BE REPAIR OR REPLACEMENT OF DEFECTIVE PARTS UNDER THE TERMS OF THIS LIMITED WARRANTY. ALL RIGHTS TO CONSEQUENTIAL OR INCIDENTAL DAMAGES (INCLUDING CLAIMS FOR LOST SALES, LOST PROFITS, PRODUCT LOSS, PROPERTY DAMAGES OR SERVICE EXPENSES) ARE EXPRESSLY EXCLUDED. THE EXPRESS WARRANTIES MADE IN THIS LIMITED WARRANTY MAY NOT BE ALTERED, ENLARGED, OR CHANGED BY ANY DISTRIBUTOR, DEALER, OR OTHER PERSON, WHATSOEVER.**

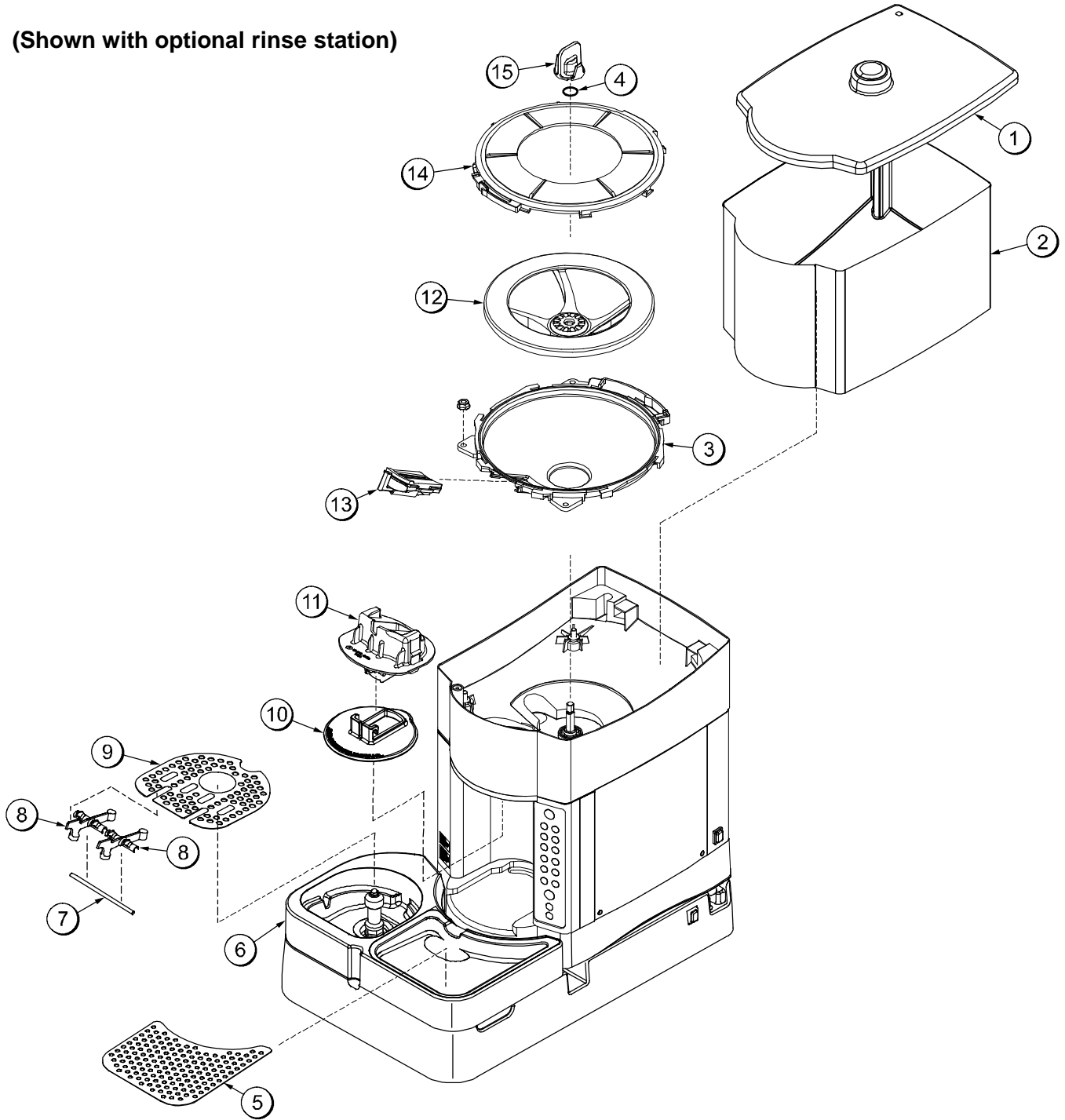
## LEGAL REMEDIES

The owner **must** notify Taylor in writing, by certified or registered letter to the following address, of any defect or complaint with the Part, stating the defect or complaint and a specific request for repair, replacement, or other correction of the Part under warranty, mailed at least thirty (30) days before pursuing any legal rights or remedies.

Taylor Company  
a division of Carrier Commercial Refrigeration, Inc.  
750 N. Blackhawk Blvd.  
Rockton, IL 61072, U.S.A.

# Model SB25 Operator Parts

(Shown with optional rinse station)



© 2014 Carrier Commercial Refrigeration, Inc.

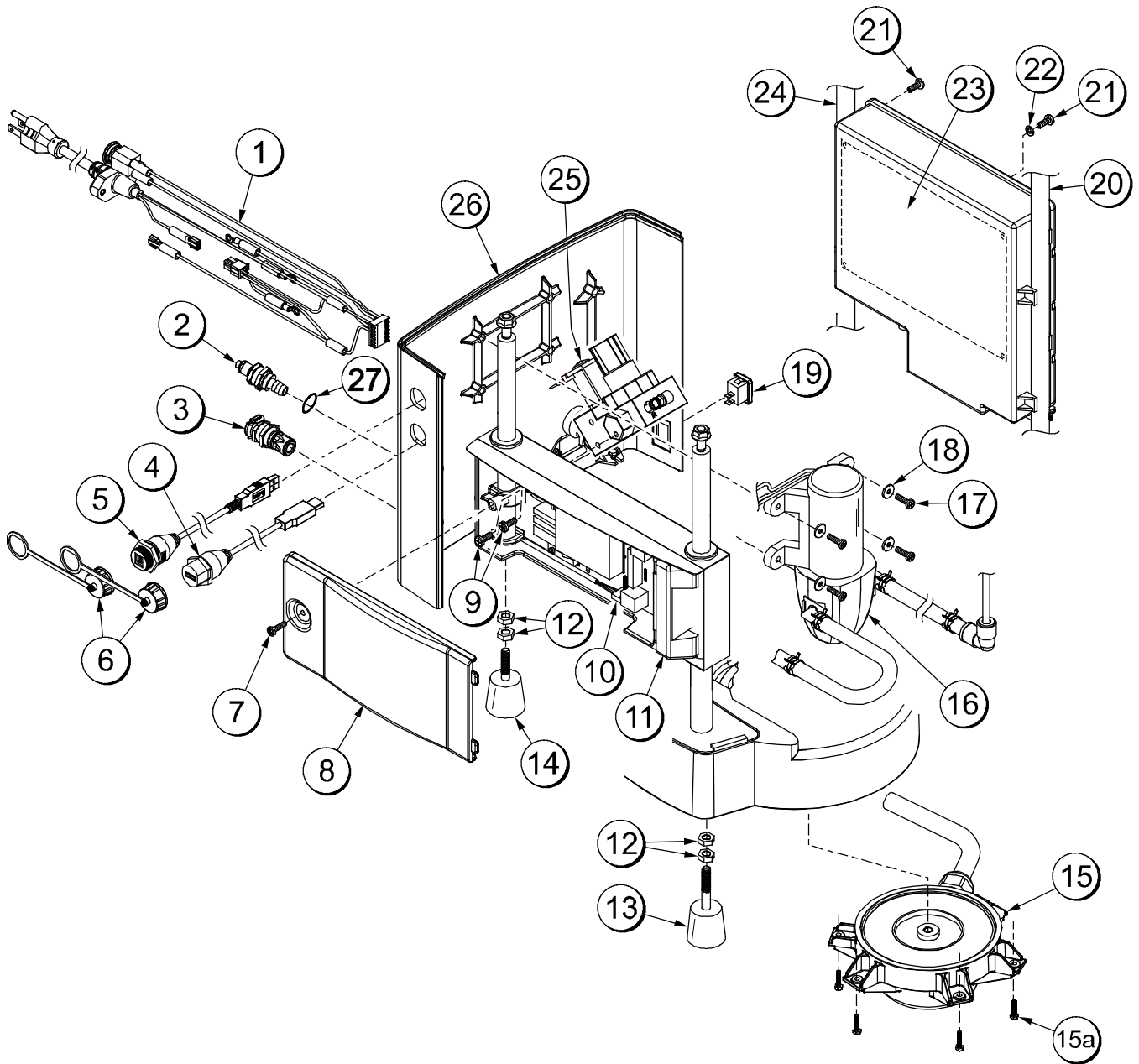
Figure 54

## Model SB25 Operator Parts Identification

ITEM	DESCRIPTION	PART NO.
1	COVER A.-HOPPER-IO	081239
2	HOPPER-IO	081238
3	CONE-PLASTIC	065194-48
4	O-RING-1 OD X .103W (25 TO BAG)	048148
5	GRATE-RIGHT	081227
6	PAN	081219
7	ROD-PIVOT-ACTUATOR	081220
8	ACTUATOR-RINSE	081221
9	GRATE-LEFT	081228

ITEM	DESCRIPTION	PART NO.
10	GUARD-SPLASH	081122
11	CHUTE-SHAVER	081121
12	WING-PLASTIC ROTARY	081576
13	KIT-BLADE-CARTDRIGE*IO	069087
14	COVER-CONE-PLASTIC	065194-49
15	NUT-SCRAMBLER	081579
16	LID-POUR-PITCHER	081248
17	PITCHER-BLENDER-IO	083605
18	HOSE A.-BIB	X82350

# Model SB25 Internal Service Parts



© 2014 Carrier Commercial Refrigeration, Inc.

Figure 55

150324

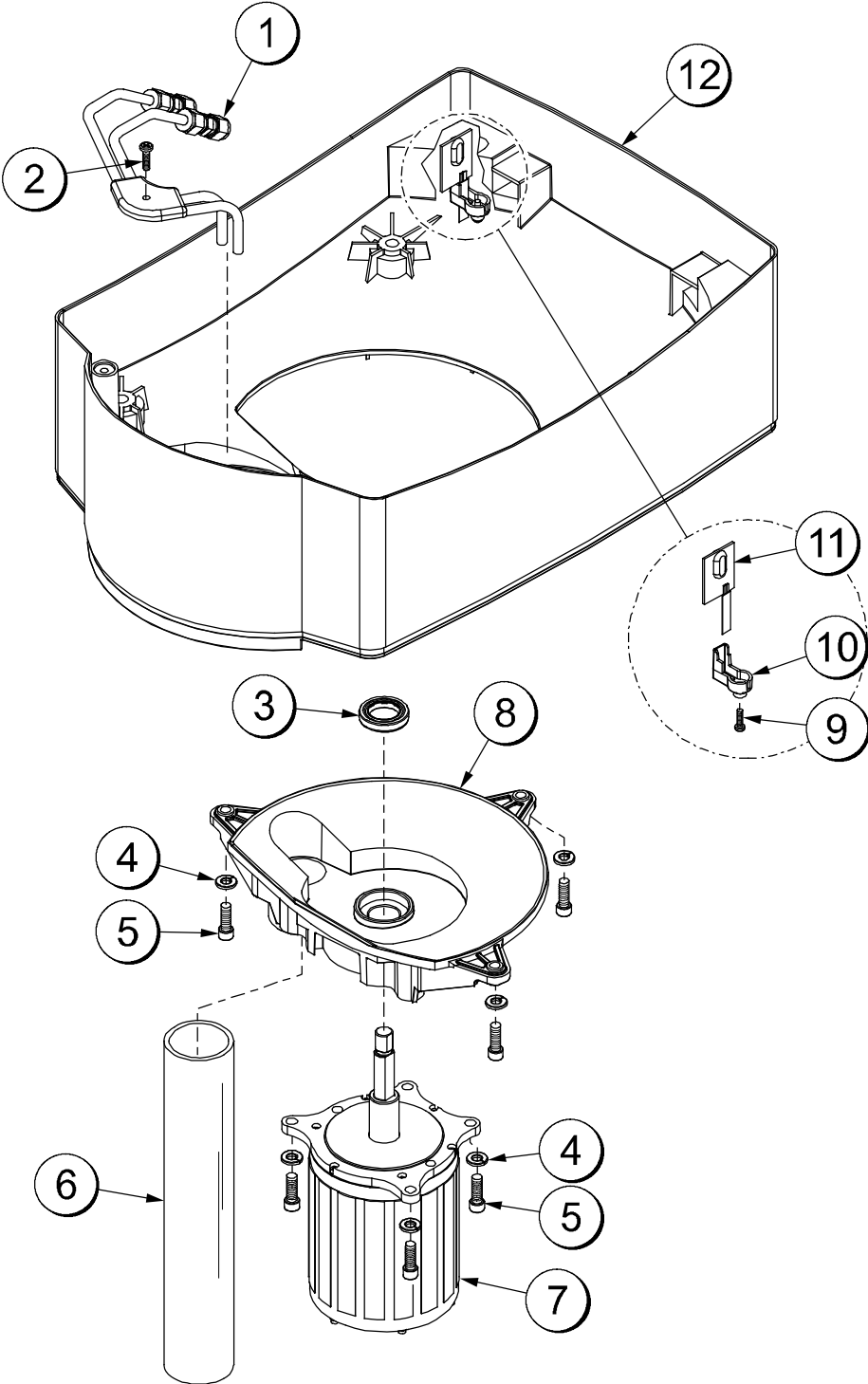
## Model SB25 Internal Service Parts Identification

ITEM	DESCRIPTION	PART NO.
1	HARNESS-POWER UNIT-IO	081897
2	COUPLING-3/8 BARB-VALVED	081886
3	COUPLING-BULKHD-1/4-VALV	081191
4	PLUG A.-USB CABLE	073808
5	CABLE-USB-B FEM TO A MAL	081142
6	COVER A.-USB WATERPROOF	068583
7	SCREW-8-32X3/8 PPHD-SS	081167
8	COVER-PCB	081902
9	SCREW-10-32X5/8 PPHD 180-8	082354
10	KIT A.-BOARD-CIRCUIT	X6519414SV
11	PCB A.-DISPENSE-I O	X81132-SER
11a	FUSE-.500A 250V 5X20 MM	083490
12	NUT-5/16-24 FINISHED HEX	029639-BLK
13	FOOT-FRONT-UNIT-IO	081113
14	FOOT-REAR-UNIT-IO	081112

ITEM	DESCRIPTION	PART NO.
15	KIT A.-MOTOR BLENDER	X6519415SV
15a	SCREW-6-32 X 1/2 HEX HEAD	065194-50
16	PUMP A.-CANE **SEE PAGE 57	X82356-12
17	SCREW-8-32X5/8 PPH 18-8 S.S	081890
18	WASHER-#8IDX1/2"ODX0.055	081893
19	SWITCH-A.ROCKER-SPST	083331
20	ROD-SUPPORT-ISLAND OASIS	065194-27
21	SCREW-10-32X1/2 PHL PAN	081168
22	WASHER-#10 INT TOOTH LOC	024420
23	KIT A.-BOARD-CIRCUIT DRIVE (SEE PAGE 30)	X6519414SV
24	ROD-SUPPORT-KEYED-IO	065194-29
25	MANIFOLD A.-WATER (SEE PAGE 56)	082222-12
26	PANEL-REAR-ISLAND OASIS	081120
27	O-RING 7/16 OD X .070 WALL	008403



# Model SB25 Drain Assembly



© 2014 Carrier Commercial Refrigeration, Inc.

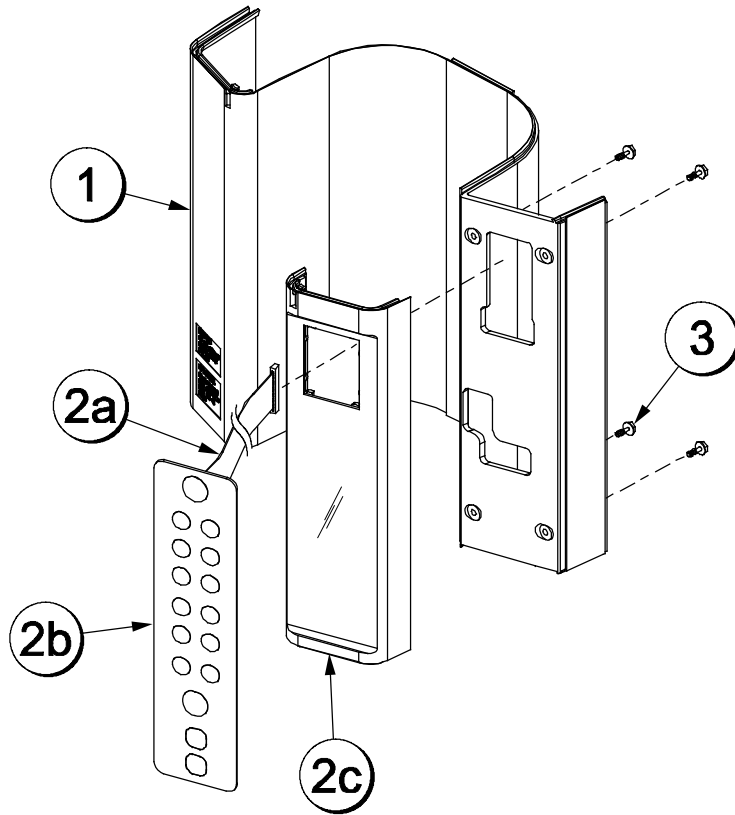
Figure 56

## Model SB25 Drain Assembly Parts Identification

ITEM	DESCRIPTION	PART NO.
1	COUPLING-1/4ODX1/4OD	058302
2	SCREW-8-32X5/8 PPH 18-8 SS	081890
3	KIT A.-SEAL SHAFT MOTOR	X6519418SV
4	WASHER-1/4 MED SPLIT LOCK	018954
5	SCREW-1/4-20X3/4 SOCKET	027799
6	TUBE-DRAIN-INTERNAL	065194-52

ITEM	DESCRIPTION	PART NO.
7	KIT A.-MOTOR SHAVER	X6519416SV
8	MOUNT-MOTOR-SHAVER	081119
9	SCREW-SENSOR-CLIP	065194-55
10	RETAINER-SWITCH-SAFETY	081123
11	SENSOR-ICE-BIN	065194-53
12	HOPPER-ICE*SMALL-CLEAR	081238

# Model SB25 Front Panel



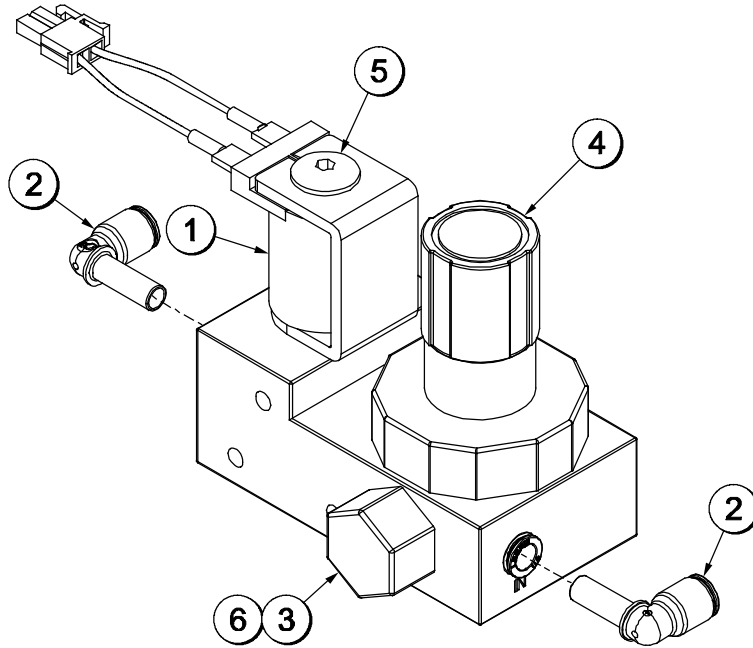
© 2014 Carrier Commercial Refrigeration, Inc.

Figure 57

ITEM	DESCRIPTION	PART NO.
1	PANEL-FRONT-ISLAND OASIS	081107
2	KEYPAD A.	X82584
2a	CABLE-KEYPAD-IO	081110

ITEM	DESCRIPTION	PART NO.
2b	KEYPAD A.-FD	X81887-SER
2c	BEZEL-KEYPAD	081109-1
3	SCREW-6X3/8-HWH-TYPE B	081111

# Model SB25 Manifold 082222-12



© 2014 Carrier Commercial Refrigeration, Inc.

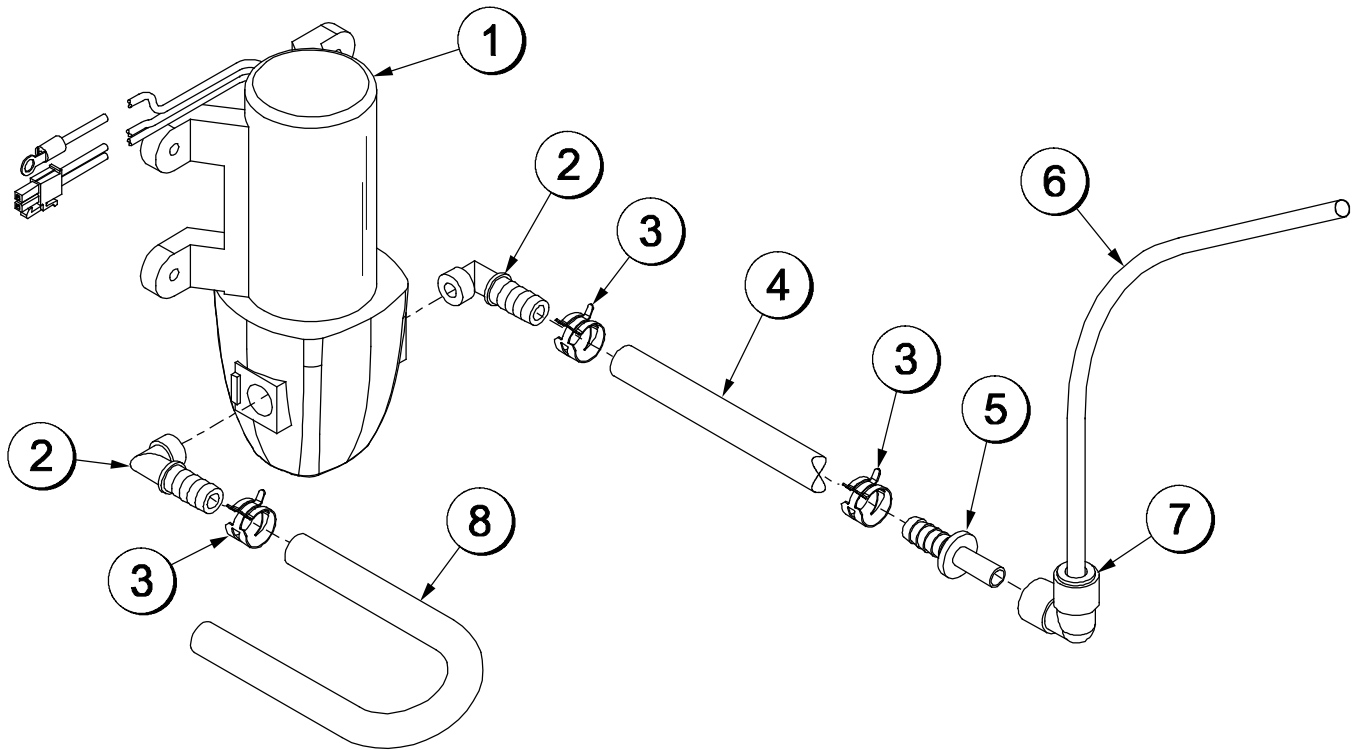
Figure 58

ITEM	DESCRIPTION	PART NO.
1	COIL-SOLENOID VALVE 120 VAC	082222-121
2	ELBOW-STEM-1/4 PTC X 1/4 ST	082222-127
3	CAP	082222-125

ITEM	DESCRIPTION	PART NO.
4	REGULATOR-WATER-15 PSI	082222-122
5	VALVE-SOLENOID	082222-123
6	FILTER-WATER	082222-124

\*NOT SHOWN

# Model SB25 Pump-Cane A. - X82356



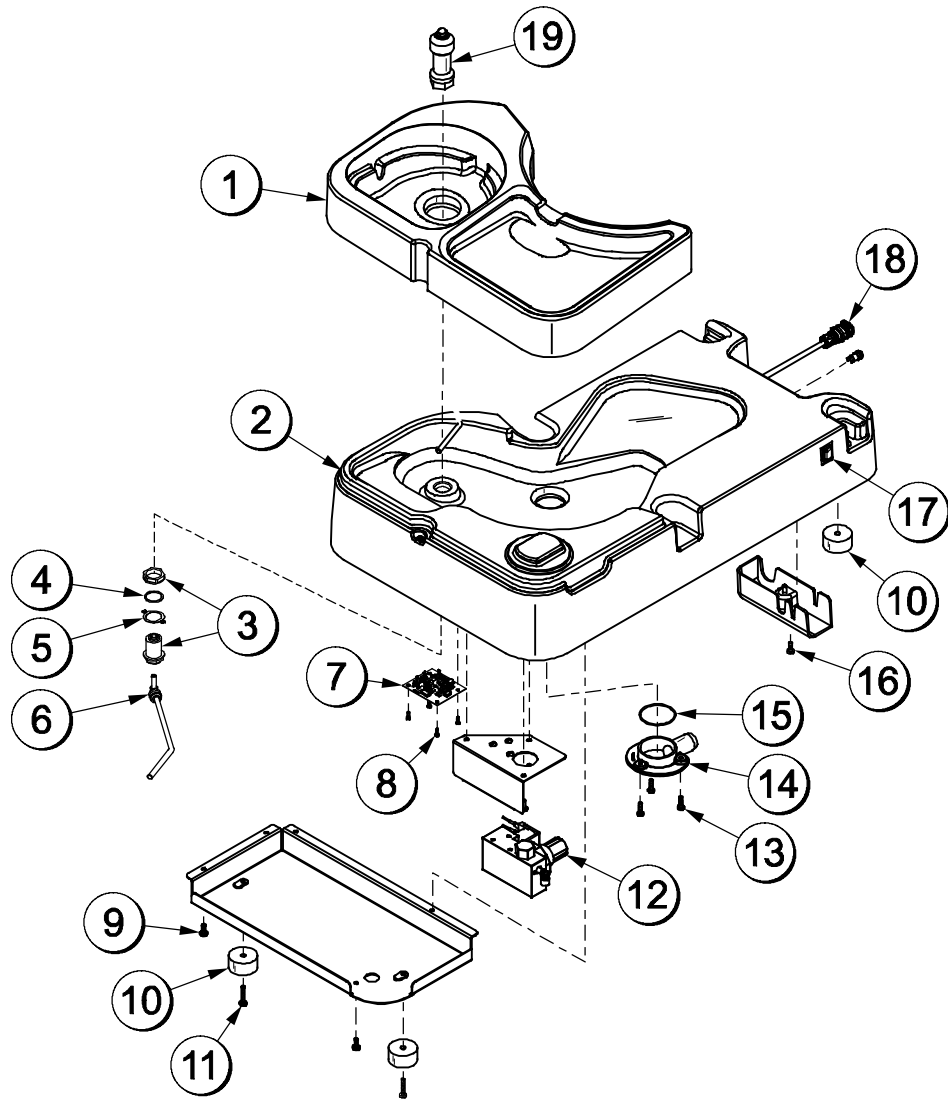
© 2014 Carrier Commercial Refrigeration, Inc.

Figure 59

ITEM	DESCRIPTION	PART NO.
1	PUMP-DIAPHRAGM-CANE	081889-12
2	ELBOW-PUMP-3/8 BARB	081885
3	CLAMP-HOSE-MUBEA-15MM	083290
4	HOSE-BEVERAGE 3/8 ID X 5/8	053052-4.5

ITEM	DESCRIPTION	PART NO.
5	COUPLING-3/8 BARB-5/16	081884
6	TUBE-POLYPROPY-1/4OD	081153-12
7	REDUCER-90 DEG-5/16X1/4 JG	081901
8	HOSE-BEVERAGE 3/8"ID X 5/8"	053052-12

# Rinse Station



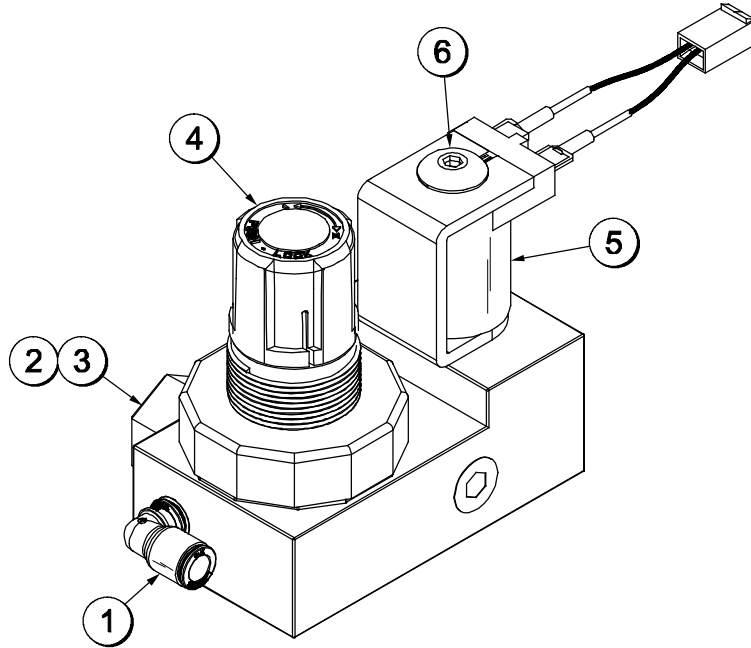
© 2014 Carrier Commercial Refrigeration, Inc.

Figure 60

ITEM	DESCRIPTION	PART NO.
1	PAN	081219
2	KIT A.-BASE-ISLAND OASIS	X6519447SV
3	FITTING-BULKHEAD 20 X 375	082340
4	GASKET-RINSER NOZZLE-IO	083473
5	RING-RETENTION	083459
6	FITTING-ELBOW 250 TUBE	082341
7	PCB A.-STATION-RINSE-IO	X81188-SER
8	SCREW-4-40X3/8 PAN HD SS	600135
9	SCREW-8-32X1/2 PPHD-SS-N	081233
10	FOOT-RUBBER-IO	081185

ITEM	DESCRIPTION	PART NO.
11	SCREW-10-32X1 PHIL PAN-SS	081186
12	MANIFOLD A.-H2O-SB20	082222-05
13	SCREW-8-32X3/8 PPHD-SS	081167
14	PORT-DRAIN	081182
15	O-RING-1-7/8OD X .070W	081189
16	SCREW-8-32X1/2PPHD-SS	081233
17	SWITCH-A.RCKR-SPST	083331
18	COUPLING-BULKHD-1/4-VALV	081191
19	NOZZLE-SPRAY-RINSE	066814

# Rinse Station Manifold 082222-05



© 2014 Carrier Commercial Refrigeration, Inc.

Figure 61

ITEM	DESCRIPTION	PART NO.
1	ELBOW-STEM-1/4 PTC X 1/4 ST	082222-127
2	FILTER-WATER	082222-124
3	CAP	082222-125

ITEM	DESCRIPTION	PART NO.
4	REGULATOR-WATER-75 PSI	082222-052
5	COIL-SOLENOID VALVE 24 VDC	082222-051
6	VALVE-SOLENOID	082222-123

# Parts List

## SB2512-W00 STANDARD & SB25 ROHS COMPLIANT

DESCRIPTION	TAYLOR PART NO.	SB25 QTY.	WARR. CLASS	REMARKS
ACTUATOR-RINSE-IO	081221	2	103	RINSE STATION
+ROD-PIVOT-ACTUATOR *SB20*	081220	1	103	RINSE STATION
BASE-STATION-RINSE-PARTIAL-IO	081175	1	103	
BASE-ISLAND OASIS		*	103	SEE KIT A.-BASE ISLAND OASIS
BEZEL-KEYPAD *SB25*	081109-1	1	000	
KIT-BLADE-CARTDRIGE	069087	1	000	
BOARD-CIRCUIT *C019* DRIVE		*		SEE - KIT A.-BOARD-CIRCUIT*C029*DRIV
BOTTLE-WASH-PLASTIC	044818	1	000	REPLACES X45080 S/N M4106299
BRUSH		1	000	SEE - KIT A.-BRUSH
CABLE-COMMUNICATION-IO	081900	1	103	
CABLE-KEYPAD-ISLAND OASIS	081110	1	103	
+FILTER-FERRITE-FLAT CABLE-BB	084016	1	000	
CABLE-USB-B FEM TO A MAL	081142	1	103	
CHUTE-SHAVER*SB25*	081121	1	000	U/D 241 CHG FROM 103 TO 000
CLAMP-CABLE-FLAT RIBBON	046367	1	000	ON RIBBON CABEL
CLAMP-HOSE/CABLE *SB20*	081195	3	000	
CLAMP-HOSE-MUBEA-15MM	083290	6	000	
CLAMP-TUBE-DISPENSE-IO	082067	1	000	
CLIP-PLASTIC	017609	1	000	USB CABLE
CLIP-SIDE PANEL-ISLAND OASIS	081114	4	000	
CONE-PLASTIC*C029*ISLAND OASIS	065194-48	1	103	
COUPLING-BULKHD-1/4-VALVED-QD	081191	2	103	
COUPLING-1/4ODX1/4OD JOHN GST	058302	2	103	
COUPLING-3/8 BARB-VALVED	081886	1	103	
+O-RING-7/16 OD X .070 WALL	008403	1	000	
COVER A.-BOTTOM *SB20*	X82223	1	103	
COVER A.-HOPPER-IO	081239	1	000	
COVER A.-USB WATERPROOF	068583	2	103	
COVER-CONE*C029*ISLAND OASIS	065194-49	1	103	
COVER-FILTER *SB20*	081181	1	000	
COVER-PCB	081902	1	103	
COVER-POWER*SB20*	081180	1	103	

+ Available Separately, NNN = Not a Service Item, \* See Remarks



DESCRIPTION	TAYLOR PART NO.	SB25 QTY.	WARR. CLASS	REMARKS
CUP-MEASURING 16 OZ/500 ML	083086	1	000	STD-REPLACES 081240 CUP-MEASURING-10 OZ-10
DIAGRAM-WIRING *SB20*	083121-12	1	000	RINSE STATION
DRAIN-MAIN-ISLAND OASIS, SB	081252	1	103	
ELBOW-3/4 S40-PVC	081241	2	103	
ELBOW-PUMP-3/8 BARB	081885	2	103	
FILTER-FERRITE-FLAT CABLE-BB	084016	1	000	USE WITH 081110 CABLE
FITTING STEM 375- TUBE 500	082342	1	103	RINSE STATION
FITTING-BULKHEAD 20 X 375	082340	1	103	RINSE STATION
FITTING-ELBOW 250 TUBE-250 STE	082341	1	103	RINSE STATION
FOOT-FRONT-UNIT-ISLAND OASIS	081113	2	103	
FOOT-REAR-UNIT-ISLAND OASIS	081112	2	103	
FOOT-RUBBER-IO	081185	4	103	RINSE STATION
GASKET-RINSE NOZZLE-IO	083473	1	000	M4034486 REPLACES 081249 O-RING
GRATE-LEFT*SB20*	081228	1	103	
GRATE-RIGHT*SB20*	081227	1	103	
GUARD-SPLASH *SB25*	081122	1	000	
HARNES-POWER UNIT-IO, SB25	081897	1	103	
HARNES-WIRE-POWER-IO	081196	1	103	
HOLDER-KIT *SB25*	082994	1	000	
HOPPER-IO	081238	1	103	
+COVER A.-HOPPER-IO	081239	1	000	
HOSE A.-BIB	X82350	1	103	CANE SUPPLY HOSE
HOSE-BEVERAGE 3/8"ID X 5/8"O	053052-28	1	000	HOSE LENGTH CHANGED FROM 36 TO 28 SN M5033205
CONNECTOR-BIB-3/8	082344	1	000	
COUPLING-3/8 BARBED FEMALE N	082345	1	000	
HOSE-BEVERAGE 3/8 ID X 5/8 O	053052-4.5	2	000	
HOSE-BEVERAGE 3/8"ID X 5/8"O	053052-12	2	000	
HOSE-DRAIN-.875IDX1.125OD-BLK	081242-120	1	000	
HOUSING-PCB-IO	081903	1	103	
INSERT-COUPLING	081216	2	000	
INSERT-NUT-COMPRESSION-.375	081247	2	000	
KEYPAD A.*SB25*	X82584	1	103	
KEYPAD A.-FD/DD2100	X81887-SER	1	103	

+ Available Separately, NNN = Not a Service Item, \* See Remarks

DESCRIPTION	TAYLOR PART NO.	SB25 QTY.	WARR. CLASS	REMARKS
CABLE-KEYPAD-ISLAND OASIS	081110	1	103	
BEZEL-KEYPAD *SB25*	081109-1	1	000	
KIT A.-BASE ISLAND OASIS	X6519447SV	1	103	
SCREW-6-32 X 1/2 HEX HEAD	065194-50	4	000	
KIT A.-BOARD-CIRCUIT*C029*DRIV	X6519414SV	1	212	
FUSE-BOARD-DRIVER-ISLAND OASIS	065194-26	1	000	
KIT A.-BRUSH	X68468	1	000	
BRUSH-MIX PUMP BODY 3" X 7"	023316	1	000	
BRUSH-END-DOOR-SPOUT-SS-HT	039719	1	000	
BRUSH-TUBE MIX	068460	1	000	
KIT A.-ICE BIN-SENSOR	X80552	1	103	
RETAINER-SWITCH-SAFETY-IO	081123	1	103	
SCREW-SENSOR-CLIP-ICE BIN	065194-55	1	000	
SENSOR-ICE BIN	065194-53	1	103	
KIT A.-MOTOR BLENDER *C029*	X6519415SV	1	212	
SCREW-6-32X1/2 HEX HEAD	065194-50	6	000	
KIT A.-MOTOR SHAVER *C029*	X6519416SV	1	212	
KIT A.-SEAL SHAFT MOTOR *C029*	X6519418SV	1	000	
KIT-BLADE-CARTDRIGE*C029*IO	069087	1	000	
LABEL-BIN ICE-FILL	067920	1	000	
LABEL-CAUTION-GRD-CORD	032165	2	000	
LABEL-CAUTION-PERSNL	033161	1	000	
LABEL-ISLAND TAYLOR-11X4.9"	082348	1	000	
LABEL-ISLAND TAYLOR-8.7X4.9"	082347	1	000	
LABEL-WARN-CONDENSER-SHARP	059287	1	000	
LABEL-WARN-COVER	051433	*	000	
LABEL-WARN-ELEC-SGL-SMALL-CANA	032717-CAN	1	000	
LID-POUR-PITCHER *SB25*	081248	2	000	
MANIFOLD A.-H2O-SB20-RINSER	082222-05	1	103	RINSE STATION
CAP	082222-125	1	103	W/O-RING
COIL-SOLENOID VALVE 24 VDC	082222-051	1	103	W/O-RING
ELBOW-STEM-1/4 PTC X 1/4 ST	082222-127	1	103	
FILTER-WATER	082222-124	1	000	

+ Available Separately, NNN = Not a Service Item, \* See Remarks

DESCRIPTION	TAYLOR PART NO.	SB25 QTY.	WARR. CLASS	REMARKS
REGULATOR-WATER-75 PSI FIXED	082222-052	1	103	
VALVE-SOLENOID	082222-123	1	103	
+BRACKET A.-SOLENOID *SB20*	X82582	1	103	
+SCREW-10-32X3/8 PHIL PANHD	081205	3	000	
MANIFOLD A.-WATER *SB25*	082222-12	1	212	
CAP	082222-125	1	103	W/O-RING
COIL-SOLENOID VALVE 120 VAC	082222-121	1	103	W/O-RING
ELBOW-STEM-1/4 PTC X 1/4 ST	082222-127	1	103	
FILTER-WATER	082222-124	1	000	
REGULATOR-WATER-15 PSI FIXED	082222-122	1	103	
VALVE-SOLENOID	082222-123	1	103	
MAN-OPER-IO	081218-M	1	000	
MOTOR-BLENDER IO		*		SEE KIT A.-MOTOR BLENDER
MOTOR-SHAVER IO		*		SEE KIT A.-MOTOR SHAVER
MOUNT-MOTOR-SHAVER-ISLAND OASI	081119	1	103	
NOZZLE-SPRAY-RINSE *C029*	066814	1	103	RINSE STATION
+GASKET-RINSE NOZZLE-IO	083473	1	000	M4034486 REPLACES 081249
+RING-RETENTION	083459	1	000	M4034486 & UP
NUT-5/16-24 FINISHED HEX JAM	029639-BLK	10	000	
NUT-COMPRESSION-.375-WATTS	081246	2	000	
NUT-ROD-SUPPORT-ISLAND OASIS	065194-28	8	103	
NUT-SCRAMBLER *C088*	081579	1	103	
+O-RING-1 OD X .103W	048148	1	000	W/SCRAMBLER
O-RING-.500 OD X .070W	024278	1	000	
O-RING-1-7/8OD X .070W	081189	1	000	
O-RING-1-3/16OD X .103W-EPDM	081249	*	000	REPLACED BY 083473 GASKET/083459
GASKET-RINSE NOZZLE-IO	083473	1	000	M4034486 REPLACES 081249
+RING-RETENTION	083459	1	000	M4034486
O-RING-3/4 OX X .070W	081888	1	000	
O-RING-7/8OD X .139W	081899	2	000	
O-RING-1-3/4IDX1-7/8OD 50 DURO	082952	1	000	
OVERLAY-KEYPAD *SB25*	082473	1	000	
PAN *SB20*	081219	1	103	

+ Available Separately, NNN = Not a Service Item, \* See Remarks

DESCRIPTION	TAYLOR PART NO.	SB25 QTY.	WARR. CLASS	REMARKS
PANEL-FRONT-ISLAND OASIS	083565	1	103	3/27/15 & UP - MATERIAL CHANGE
PANEL-FRONT-ISLAND OASIS	081107	*	103	
PANEL-REAR-ISLAND OASIS	081120	1	103	
PANEL-SIDE-RIGHT-ISLAND OASIS	065194-24	2	103	
PCB-DISPENSE-ISLAND OASIS	X81132-SER	1	212	
FUSE-.500A 250V 5X20 MM FAST	083490	1	000	
+HOUSING-PCB-IO	081903	2	103	
+SHIELD-WATER-PCB *SB25*	082467	1	000	
+SUPPORT-PCB-DISPENSE-IO	082332	4	000	
+SCREW-8-32X1/4 PHIL. PAN HD	068121	4	000	
PCB A.-STATION-RINSE-IO	X81188-SER	1	212	
PIPE-LIGHT9SB20*	081184	1	103	
PITCHER-BLENDER-IO	083605	2	103	REPLACES 081948 7/16/14 & UP
+LID-POUR-PITCHER *SB25*	081248	1	000	
PLUG A.-USB CABLE	073808	1	103	
PLUG-HOLE-3/4 DIA.BLACK NYLON	081161	1	000	
PLUG-HOLE-7/8 DIA.BLACK NYLON	081116	2	000	
PORT-DRAIN-*SB20*	081182	1	103	
PUMP-DIAPHRAGM-CANE	081889-12	1	103	
+CLAMP-HOSE-MUBE A-15MM	083290	3	000	REPLACES 081896 3/11/2014
+COUPLING-3/8 BARB-5/16 JG STEM	081884	1	103	
+ELBOW-PUMP-3/8 BARB	081885	2	103	
+HOSE-BEVERAGE 3/8 ID X 5/8 OD	053052-4.5	1	000	
+HOSE-BEVERAGE 3/8"ID X 5/8"OD	053052-12	1	000	
+REDUCER-90 DEG-5/16X1/4 JG	081901	1	103	
+TUBE-POLYPROP-Y-1/4ODX.17ID-WHT	081153-12	1	000	
RETAINER-SWITCH-SAFETY-IO	081123	1	103	
ROD-PIVOT-ACTUATOR *SB20*	081220	1	103	RINSE STATION
ROD-SUPPORT-ISLAND OASIS	065194-27	3	103	
ROD-SUPPORT-KEYED-ISLAND OASIS	065194-29	1	103	
SANITIZER-STER A SHEEN -GREEN	055492	1	000	
SCREW-1/4-20X3/4 SOCKET HEAD	027799	7	000	
SCREW-6-32 X 1/2 HEX HEAD	065194-50	6	000	

+ Available Separately, NNN = Not a Service Item, \* See Remarks

DESCRIPTION	TAYLOR PART NO.	SB25 QTY.	WARR. CLASS	REMARKS
SCREW-6-32 X 1/2 TRUSS HEAD	065194-51	4	000	
SCREW-SENSOR-CLIP-ICE-BIN	065194-55	1	000	
SCREW-10-32X1/2 PHL PAN-SS	081168	7	000	
SCREW-10-32X5/8 PPHD 180-8 S.S	082354	2	000	
SCREW-6-32X1/2 PHL PAN-SS-SEMS	081166	2	000	
SCREW-6X3/8-HWH-TYPE B	081111	9	000	
SCREW-8-32X1/4 PHIL.PAN HD	068121	4	000	
SCREW-8-32X3/8 PPHD-SS-NYLOK	081167	5	000	
SCREW-8-32X5/8 PPH 18-8 S.S	081890	4	000	
KIT A.-SEAL SHAFT MOTOR *C029*	X6519418SV	1	000	
SEAL-Y FILTER *SB20*	081183	1	000	
SENSOR-ICE-BIN	065194-53	-	103	USE X80552 KIT A.-ICE BIN SENSOR
SHIELD-WATER-PCB *SB25*	082467	1	000	
SPACER-PCB MOUNT-IO *SB25*	081898	2	000	
SUPPLY-POWER-IO	081217	1	103	RINSE STATION
SUPPORT-MOTOR-SHAVER-FOAM-IO	081170	*	000	REMOVED AS OF S/N M5033649
SUPPORT-PCB-DISPENSE-IO	082332	8	000	
SWITCH-REED 13-15AT *SB25*	083780	2	103	S/N M5011117 & UP-REPLACES 081190 RINSE STATION
SWITCH-A.RCKR-SPST ON/NONE/OFF	083331	1	103	ADDED S/N M4072429
TUBE-.170ID X .250OD	R403021	4'	000	
TUBE-.250ID X .375OD	R403025	10'	000	DISPENSE WATER SYSTEM
+INSERT-NUT-COMPRESSION-.375	083295	1	000	CONNECT DISP UNIT TO WATER SOURCE
+NUT-COMPRESSION-.375-WATTS	081246	1	000	CONNECT DISP UNIT TO WATER SOURCE
+INSERT-COUPLING	081216	1	000	CONNECT DISP UNIT TO WATER SOURCE
TUBE-.250ID X .375OD	R403025	10'	000	RINSE STATION TO WATER SOURCE
+INSERT-NUT-COMPRESSION-.375	083295	1	000	RINSE STATION TO WATER SOURCE
TUBE-DISPENSE-CANE-IO	082168	1	103	
TUBE-DISPENSE-WATER-IO	082167	1	103	
TUBE-DRAIN-INTERNAL	065194-52	1	000	
TUBE-VINYL 1/4 ID X 3/8 OD	R30312	.5'	000	
VALVE-SOLENOID	082222-123	2	103	
WASHER-#10 INTERNAL TOOTH LOCK	024420	6	000	
WASHER-#8IDX1/2"ODX0.055	081893	4	000	

+ Available Separately, NNN = Not a Service Item, \* See Remarks

DESCRIPTION	TAYLOR PART NO.	SB25 QTY.	WARR. CLASS	REMARKS
WASHER-1/4 MEDIUM SPLIT LOCK	018954	7	000	
WASHER-5/8ID-FLAT S.S	068204	4	000	
WING-PLASTIC ROTARY-IO-C088	081576	1	103	
<b>SB2512-WND - M SB25 ROHS-XLARGE HOPPER</b>				
COVER A.-HOPPER-LARGE	065194-2B	1	103	
HOPPER A.-ICE-LARGE	065194-2A	1	103	
<b>SB2512-WDD - NO COMPRESSOR/REFRIG SYSTEM - ROHS COMPLIANT-DDO</b>				
CLAMP-HOSE 15/32-STEPLESS EA	059755	6	000	7/9/14 REPLACES 082097-7
COVER A.-HOPPER-LARGE	065194-2B	1	000	
CUP-MEASURING-COOLATTA-DD	083610	1	000	
CUP-MEASURING-SMOOTHIE-DD	083611	1	000	
CUP-CALIBRATION*SB25*DUNKIN	082097-8	*	000	5/20/14 REMOVED ON 6/29/14
DOOR-SOUND *SB2X*	083541	1	000	
+INST-ACCESS DOOR INSTALL	083612-INS	1	000	
FITTING-3/8" TUBEX1/4"STEM	082097-4	1	103	
FITTING-BARB-1/4"HOSE	082097-5	2	103	
FITTING-Y,1/4"BARB	082097-6	1	103	
FRAME-DOOR *SB2X*	083542	1	000	
HOSE A.-H2O DUAL *SB25*	X83595	1	000	
HOPPER A.-ICE-LARGE	065194-2A	1	103	
MAN-OPER SB25 DD	083612-M	1	000	
PAD-ADHESIVE-SELF	083606	4	000	
PIN-HINGE-LOWER-DOOR *SB2X*	083540	1	000	
PIN-HINGE-UPPER-DOOR *SB2X*	083539	1	000	
RACK-CANE *SB2X*	083543	1	000	
TUBE-.250ID X .500 OD X 10 L	082097-3	1	000	
TUBE-.250ID X .500OD X 100"	082097-9	1	000	
<b>50HZ - SB2540-WNF SHAVER/RINSE - 220-240V 50HZ 1PH</b>				
DIAGRAM-WIRING *SB25*	083087-40	1	000	
DIAGRAM-WIRING *SB20*	083121-83	1	000	
CORD A.-POWER-300V, IO	081929	1	103	

+ Available Separately, NNN = Not a Service Item, \* See Remarks

DESCRIPTION	TAYLOR PART NO.	SB25 QTY.	WARR. CLASS	REMARKS
FILTER-FERRITE-TORROID,IO	081927	1	000	
FILTER-POWER-IO	065194-31	1	103	
HARNES-GROUND-FILTER-IO,	081926	1	103	
HARNES-GROUND-HEAT SINK-	081925	1	10	
HARNES-POWER-50HZ-IO,SB	081930-SP	1	103	
JUMPER A.-300 VOLT 10,SB	081931	1	103	
KEYPAD A.-*SB25*	X82584-SP	1	103	
KEYPAD-ISLAND OASIS	081108	1	103	
BEZEL-KEYPAD *SB25*	081109-1	1	000	
CABLE-KEYPAD-ISLAND OASIS	081110	1	103	
WIPE-ALCOHOL	082032	1	000	
KIT A.-BOARD-CIRCUIT*C029*DRIV	X6519441SV	1	212	
KIT A.-MOTOR BLENDER *C029*	X6519430SV	1	103	
KIT A.-MOTOR-SHAVER *C029*	X6519446SV	1	103	
PITCHER A.-GUARD *SB2X*	083605-G	2	103	
SCREW-10-32X1/2 PHL PAN-S	081168	7	000	
SCREW-8/32X5/16 PHL WASHE	081928	2	000	

+ Available Separately, NNN = Not a Service Item, \* See Remarks

